

# USB Phone Recorder

## USER'S QUICK GUIDE

Model: DBU300

### Package Contents

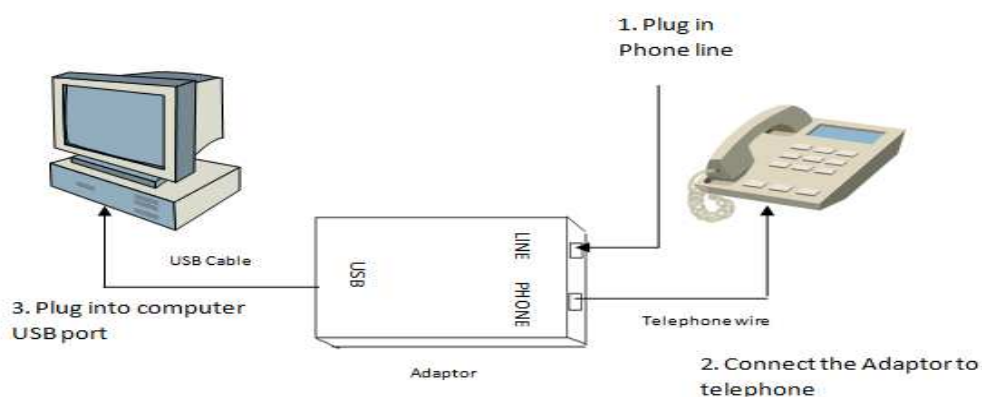
Check the contents of the package.

- 1) USB Recorder Adaptor
- 2) USB Cable
- 3) Telephone Wire
- 4) Software (CD ROM)

More detail, please refer to user's manual in the CD ROM: help.htm

### Installation

#### Hardware installation:



\*When first time plug in the USB recording box, it will take the OS 5-10 minutes to automatically load the driver. When completed, restart your computer.

#### Software Installation:

1. Double click the **install.exe** in the CD.
2. Chose a destination hard driver, and then click the **Install** Button. The software will create **USBPhoneRecorderV3.0** folder in the destination hard driver.
3. To start using the system, Double click the **USBPhoneRecorderV3.0** folder in the destination hard driver.
4. Double-click on the **USBRecorder.exe**

#### How to read the LED:

After connecting the USB recorder adaptor to PC, LED will light for one second, then off. After running the software, the LED will light up when off-hook and ringing. The LED will remain off when there is no call. If phone line is disconnected from USB recording adaptor, the LED will flash.

Active the "Program Invisible" function, click the "Setting", check the "Program Invisible" check box. Press "Control" + "shift" + "↓" key anytime to make it back to visible.