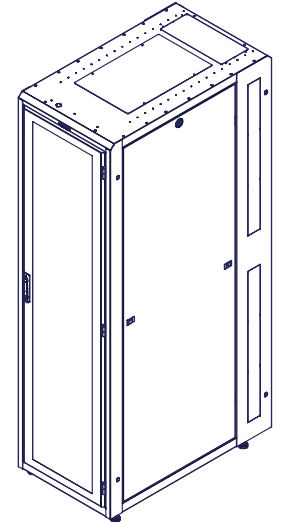
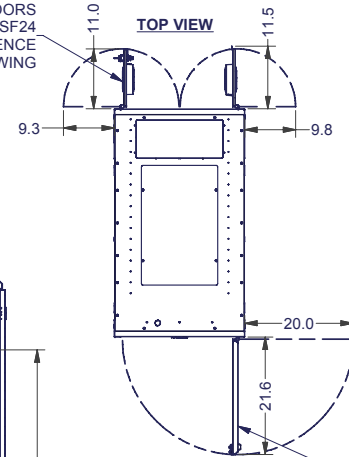


OPTIONAL SPLIT FAN DOORS
4803E-SF24
SHOWN FOR REFERENCE
180° DOOR SWING



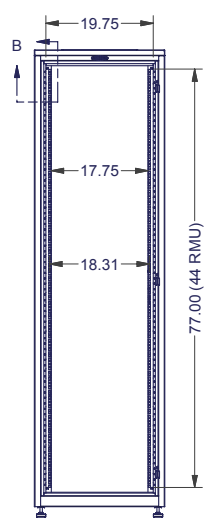
STANDARD MESH CONTOUR DOOR
SHOWN FOR REFERENCE
180° DOOR SWING.

TOP PANEL OPENING (308 sq.in.)
SOLID, VENTED, OR WITH EXHAUST FANS
UP TO 1100 CFM.

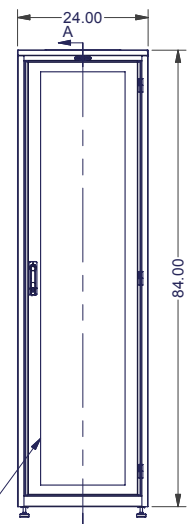
INDEPENDENT MOUNTING LOCATIONS
FOR LADDERRACK BRACKETS OR
TOP MOUNTED CABLE TROUGHS

PAIR OF SOLID LIFT OFF SIDE PANELS
w/ LOCK & FINGER RELEASE LATCHES

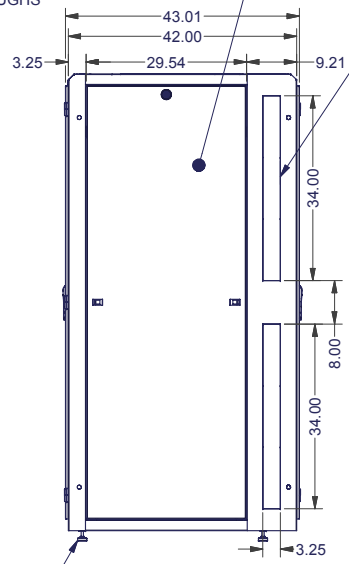
REAR CABLE PASS THRU
CABINET TO CABINET
w/ OPTIONAL BRSH GROMMET



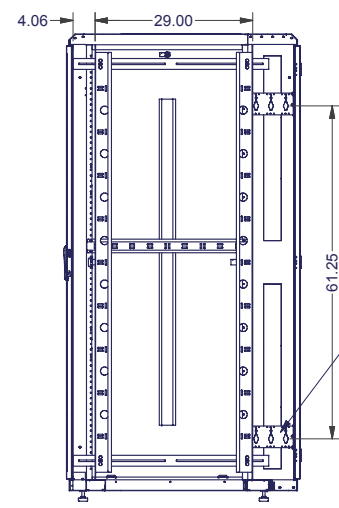
FRONT VIEW
DOOR REMOVED



FRONT VIEW



RIGHT SIDE VIEW

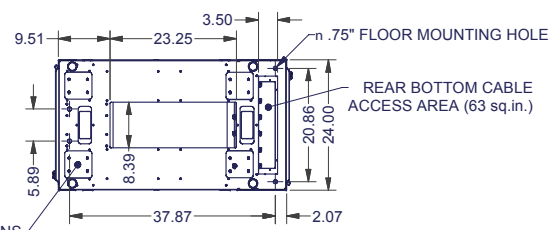


SECTION A-A
RIGHT SIDE VIEW

UNIVERSAL POWER STRIP MOUNTING BRACKETS
KEYED BOTTON MOUNTING.
WILL ACCEPT 3 PDU's, 70"L (MAX.) x 2.5"W PER SIDE.

MESH CONTOUR DOORS
FRONT AND REAR w/
EASY LATCH LOCKING HANDLES
LIFT OFF & FIELD REVERSIBLE

LEVELING GLIDES (4 INCLUDED)
1/2-13 UNC THREADED HOLES



BOTTOM VIEW

OPTIONAL CASTER MOUNTING LOCATIONS

SPECIFICATIONS:

DIMENSIONS : 84.0\"/>

RACK SPACES : 44 RMU w/ NUMBERED RMU INDICATORS, 19\"/>

WEIGHT CAPACITY : 2000 lbs. BOLTED TO FLOOR OR ON LEVELERS, 1800 lbs. ON CASTERS.

COLOR : DURABLE TEXTURED BLACK POWDER COATING

CERTIFICATIONS : UL 60950-1 STANDARD FOR I.T. & COMMUNICATIONS EQ., ENCLOSURES.

CONSTRUCTION : 2 PAIR MOUNTING RAILS , #12 GA. C.R.S.
FULLY WELDED FRAME, #14 & #12 GA. C.R.S.
DOORS, SIDE PANELS, TOP PANEL, #16 C.R.S.

HARDWARE : PACKAGE OF QTY-50; M6 SCREWS AND CAGE NUTS, INCLUDED.



INTERPRET DRAWING PER ASME Y14.5M-1994
DIMENSIONAL LIMITS APPLY AFTER APPLICATION OF FINISH
DRAWING NOT TO SCALE
TOLERANCE UNLESS OTHERWISE NOTED:
ANGULAR ± .1°
3000 ± .010
XXX ± .015
XX ± .030
X FOR REF. ONLY
UNLESS OTHERWISE SPECIFIED ALL DIMENSIONS ARE IN INCHES

NOTICE:
Use of this document is subject to a confidentiality and nondisclosure agreement with Great Lakes Case & Cabinet Co., Inc. (GLCC) and may not be reproduced, disclosed or utilized in whole or in part without prior written authorization from GLCC.

PART NUMBER: 840ES-2442MS	TITLE: ENHANCED SERVER ENCL., 44 RMU, 19\"/> 		
QTY PER UNIT: 1	MATERIAL TYPE:		
MATERIAL GAUGE:	FINISH:		
DRAWN BIBS	DATE 6/12/07	DWG NO. 840ES-2442MS	REV
CHECKED & APP. WSS	DATE 9/24/07		SHEET: 1 OF 1

