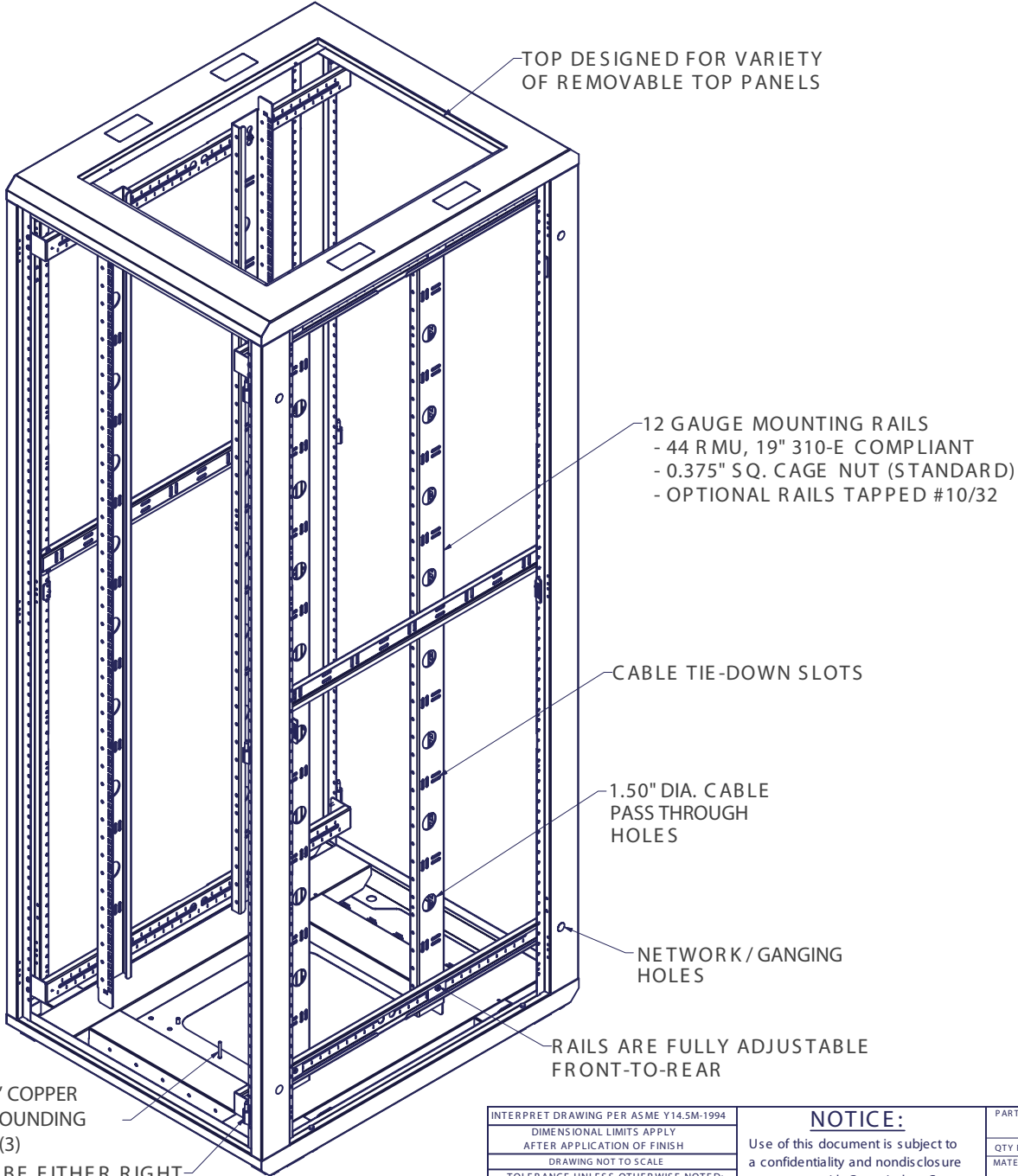


**Enhanced Series Enclosure Features**

- 44 RMU, 19" EIA 310-E Compliant
- Fully Welded Steel Construction  
#16 Gauge Steel
- Universal M6 Cage Nut Rails Standard  
(10/32 Tapped Rails Available)  
#12 Gauge Steel
- Rack Mounting Hardware Included
- Rails are Infinitely Adjustable, Front to Rear (Max. Rail Spacing is Cabinet Depth minus 2 inches)
- Rails with RMU Markings
- TRC (True Rail Count) Rails  
This certifies that the number of RMU are true and all accessible within the door opening.
- Total of Three 10/32 x 1.5" Copper Plated Grounding Studs (One in bottom, two in top)
- Weight Capacity: 1500 lbs. on levelers, bolted to floor, or on heavy duty casters
- Durable Powder Coat Finish
- Field Reversible Door Hinges (No Additional Hardware Required)
- Optional Features:
  - Cable Lacing Bars
  - Ganging Hardware (No Tools Required)
  - Anti-tip Legs
  - Variety of Top, Bottom, & Side Panels



10/32 x 1.5" COPPER PLATED GROUNDING STUD, QTY (3)  
DOORS CAN BE EITHER RIGHT-OR LEFT-HAND HINGED

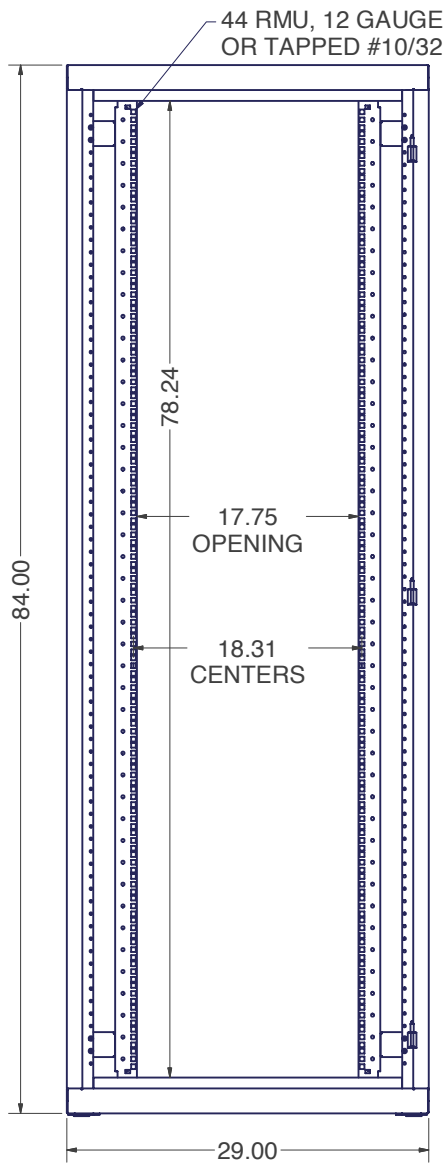


INTERPRET DRAWING PER ASME Y14.5M-1994
DIMENSIONAL LIMITS APPLY AFTER APPLICATION OF FINISH
DRAWING NOT TO SCALE
TOLERANCE UNLESS OTHERWISE NOTED: ANGULAR +/- 1° .XXXX +/- .010 .XXX +/- .015 .XX +/- .030 .X FOR REF. ONLY
UNLESS OTHERWISE SPECIFIED ALL DIMENSIONS ARE IN INCHES

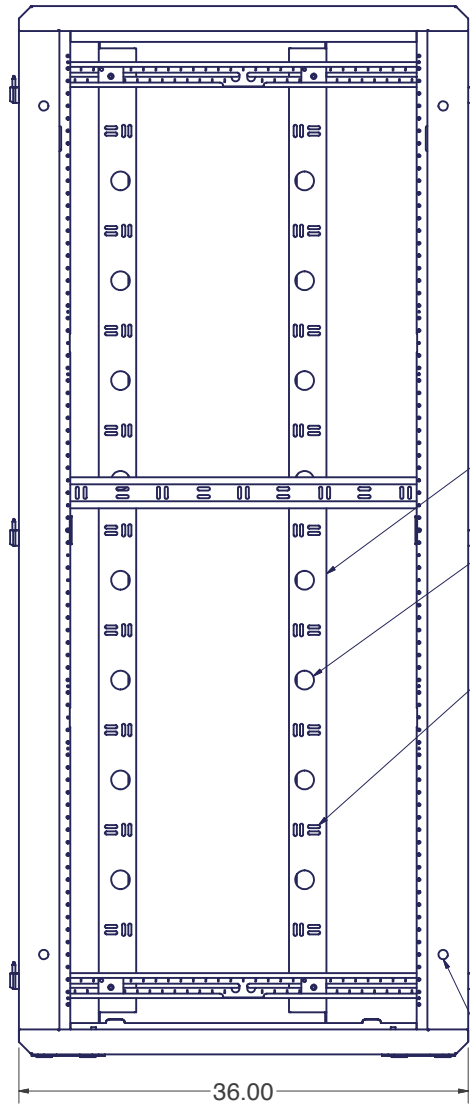
**NOTICE:**  
Use of this document is subject to a confidentiality and nondisclosure agreement with Great Lakes Case & Cabinet Co., Inc. (GLCC) and may not be reproduced, disclosed or utilized in whole or in part without prior written authorization from GLCC.

PART NUMBER: 8401E2936	QTY PER UNIT: 1
MATERIAL TYPE: -	MATERIAL GAUGE: -
FINISH: -	DRAWN DATE CA 8/21/2002
CHECKED & APP. WSS	DATE 5-26-05

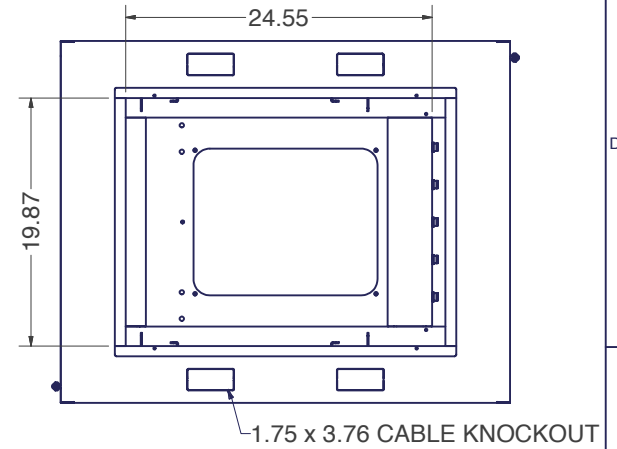
TITLE BASE UNIT ASSEMBLY - 84" H X 29" W X 36" D E CABINET	GREAT LAKES CASE & CABINET CO., INC. P.O. BOX 551 EDINBORO, PA 16412 PHONE (814) 734-7303 FAX (814) 734-3907 E-MAIL glcc@greatcabinets.com	
DWG NO: 8401E2936	REV 13	SHEET: 1 OF 2



**FRONT VIEW**



**RIGHT SIDE VIEW**



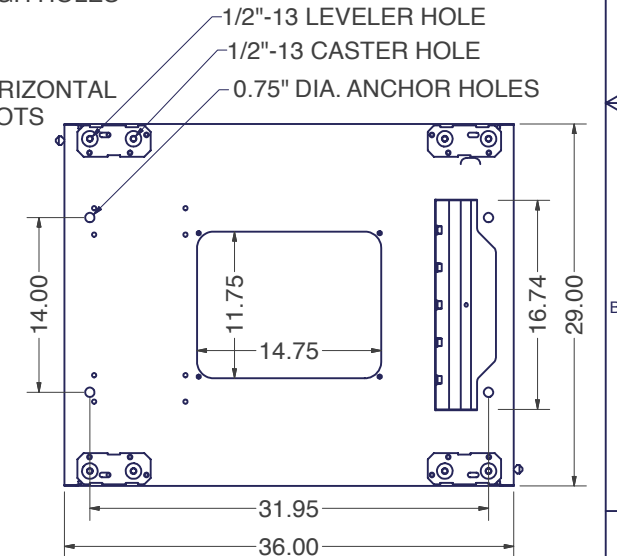
**TOP VIEW**

SLIDING RAILS FOR  
INFINITE ADJUSTMENT  
FRONT TO REAR

1.50" DIA. CABLE  
PASS THROUGH HOLES

VERTICAL/HORIZONTAL  
TIE-DOWN SLOTS

NETWORK /  
GANGLING  
HOLES



**BOTTOM VIEW**

INTERPRET DRAWING PER ASME Y14.5M-1994  
DIMENSIONAL LIMITS APPLY  
AFTER APPLICATION OF FINISH  
DRAWING NOT TO SCALE  
TOLERANCE UNLESS OTHERWISE NOTED:  
ANGULAR +/- 1--  
.XXXX +/- .010  
.XXX +/- .015  
.XX +/- .030  
.X FOR REF. ONLY



THIRD ANGLE  
PROJECTION

UNLESS OTHERWISE SPECIFIED  
ALL DIMENSIONS ARE IN INCHES

**NOTICE:**

Use of this document is subject to a confidentiality and nondisclosure agreement with Great Lakes Case & Cabinet Co., Inc. (GLCC) and may not be reproduced, disclosed or utilized in whole or in part without prior written authorization from GLCC.

PART NUMBER:  
**8401E2936**

QTY PER UNIT: 1

MATERIAL TYPE: -

MATERIAL GAUGE: -

FINISH: -

DRAWN: CA DATE: 8/21/2002

CHECKED & APP. DATE: WSS 5-26-05

TITLE **BASE UNIT ASSEMBLY - 84" H X 29" W X 36" D  
E CABINET**

**GREAT LAKES CASE & CABINET CO., INC.**  
P.O. BOX 551 EDINBORO, PA 16412  
PHONE (814) 734-7303 FAX (814) 734-3907  
E-MAIL glcc@greatcabinets.com

DWG NO: **8401E2936**

REV: **13**

SHEET: 2 OF 2