

RACK PIVOTS FROM EITHER SIDE

SPECIFICATIONS:

RACK SPACES: 19" EIA 310-E COMPLIANT - SEE CHART

WEIGHT CAPACITY: 100 LBS - EVENLY DISTRIBUTED.

FINISH: DURABLE TEXTURED BLACK POWDER COATING.

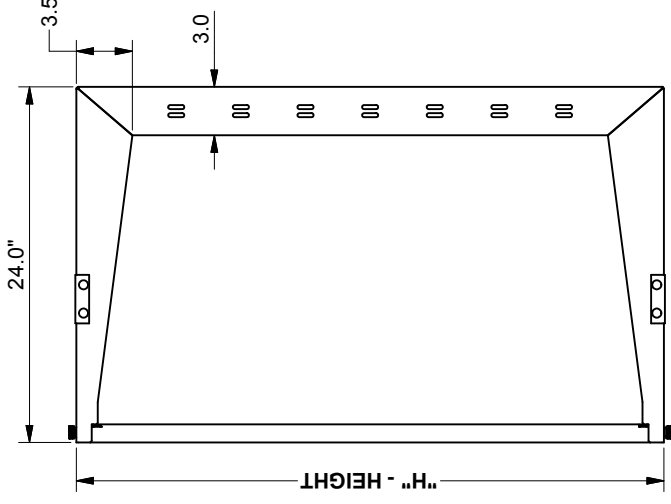
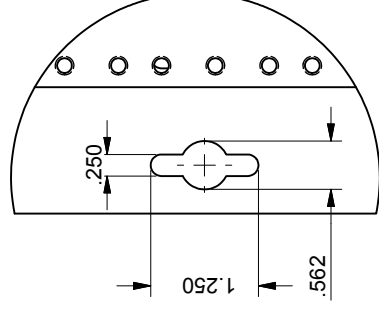
CERTIFICATIONS: UL 60950-1 STANDARD FOR I.T. & COMMUNICATIONS EQ.

CONSTRUCTION: #12 GA. C.R.S. MOUNTING CHANNELS & SUPPORT FRAME.

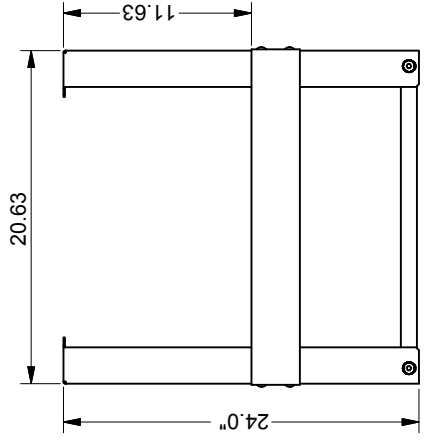
USABLE DEPTH: 22" FROM MOUNTING SURFACE

HARDWARE: PACKAGE OF QTY-50; #12-24 SCREWS INCLUDED.

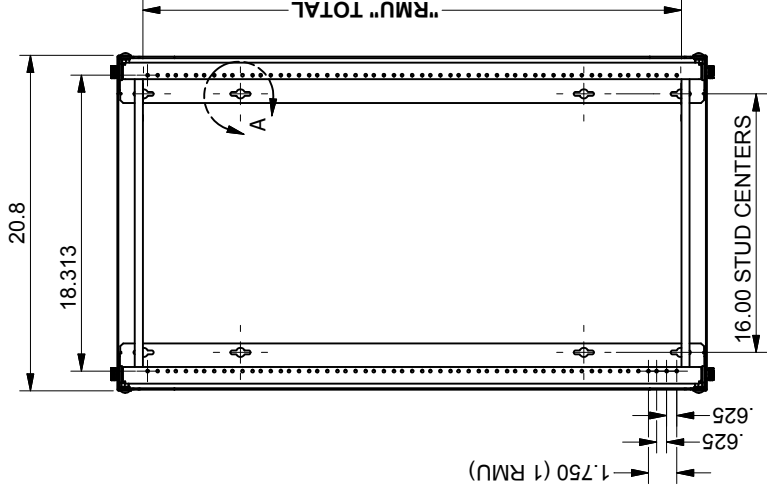
PART NUMBER	RMU TOTAL	H - HEIGHT
24SRD3200	12	23.97
36SRD3200	19	36.22
48SRD3200	26	48.47



RIGHT SIDE VIEW



TOP VIEW



FRONT VIEW

INTERPRET DRAWING PER ASME Y14.5M-1994
DIMENSIONAL LIMITS APPLY AFTER APPLICATION OF FINISH
DRAWING NOT TO SCALE
TOLERANCE UNLESS OTHERWISE NOTED:
ANGULAR +/- 1
XXXX +/- .010
XXX +/- .015
XX +/- .030
X FOR REF. ONLY
UNLESS OTHERWISE SPECIFIED ALL DIMENSIONS ARE IN INCHES

NOTICE:
Use of this document is subject to a confidentiality and nondisclosure agreement with Great Lakes Case & Cabinet Co., Inc. (GLCC) and may not be reproduced, disclosed or utilized in whole or in part without prior written authorization from GLCC.

PART NUMBER: 1013250
QTY PER UNIT: 1
MATERIAL TYPE:
MATERIAL GAUGE:
FINISH: SEE NOTES
DRAWN: MZ
DATE: 1/11/2011
CHECKED & APP. DATE: 1/11/2011
WSS

TITLE: **SWING RACKS - DEEP**
GREAT LAKES CASE & CABINET CO., INC.
P.O. BOX 551 EDINBORO, PA 16412
PHONE (814) 734-7303 FAX (814) 734-3907
E-MAIL glcc@greatlakes.com

DWG NO: 1013250
REV: 0
SHEET: 1 OF 1