

1", 2", AND 3" REAR SECTION  
NOMINAL CONCENTRIC CONDUIT  
KNOCKOUT

2 FAN UNIT MOUNTING SHOWN FOR  
GL24WM, GL36WM, AND GL48WM. FAN  
UNIT MOUNTING IS ROTATED 90 DEG.  
ON GL2418WM

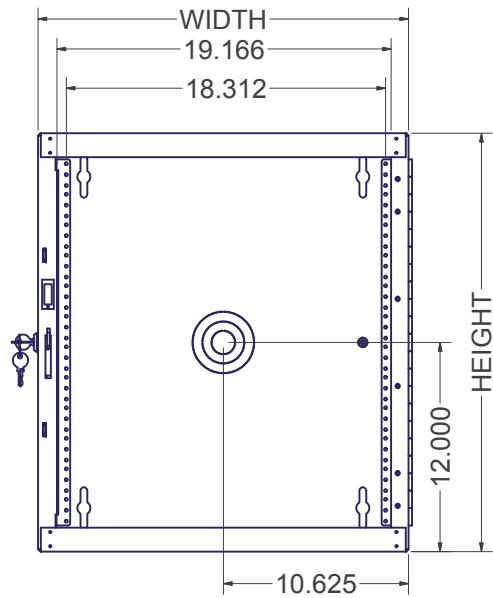
INDEPENDENT LOCKING FRONT  
AND REAR DOOR SECTION

MOUNTING HOLES FOR  
1/4" HARDWARE

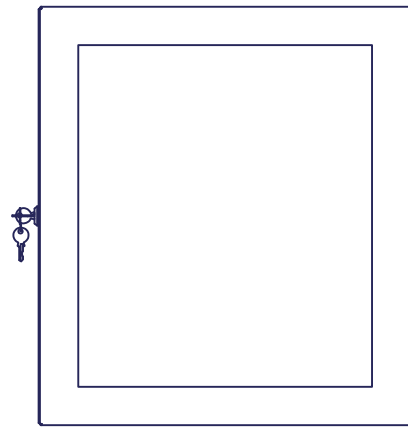
ISO COLLAPSED  
(without Door)

1", 2", 3", AND 4" REAR SECTION  
NOMINAL CONCENTRIC CONDUIT  
KNOCKOUT

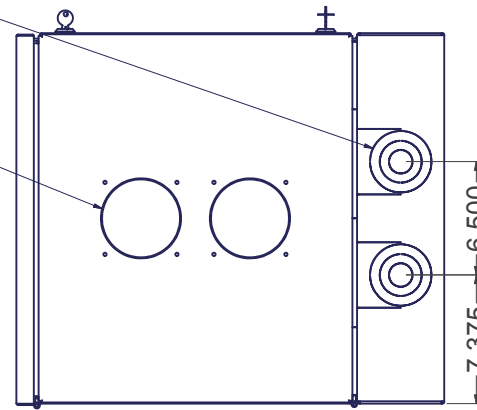
ISO EXPLODED  
(with Door)



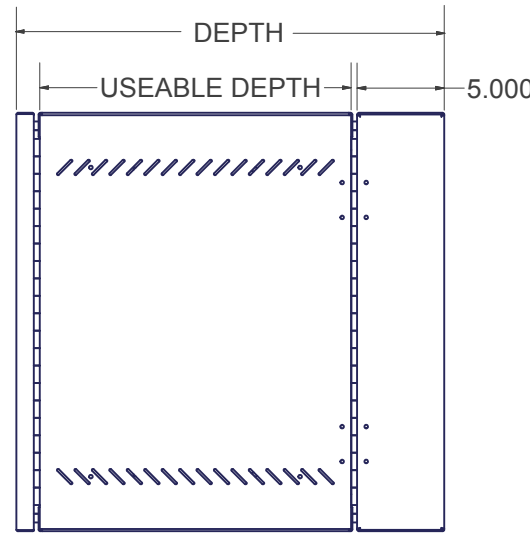
FRONT VIEW  
(without Door)



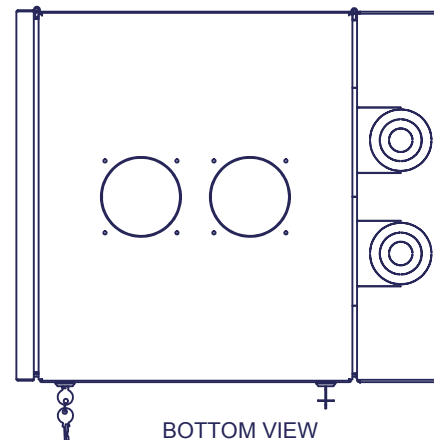
FRONT VIEW  
(with Door)



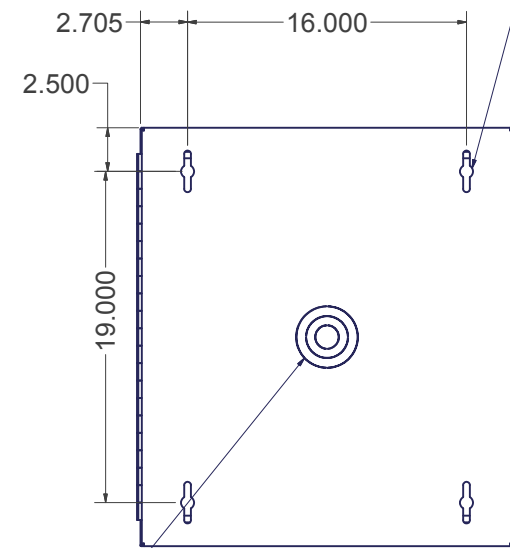
TOP VIEW



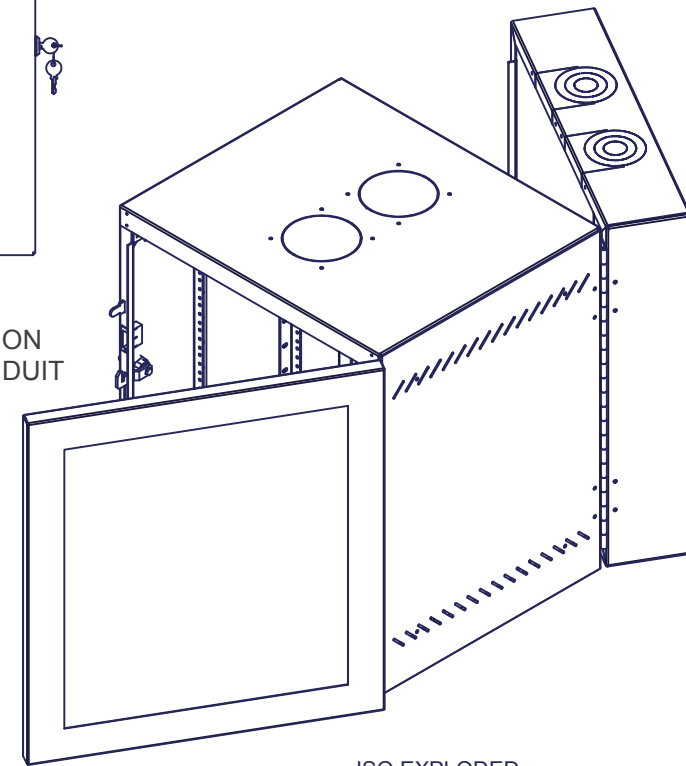
RIGHT SIDE VIEW



BOTTOM VIEW



BACK VIEW



Part No.	H	W	D	Usable D
GL2418WM	24.00"	21.25"	18.00"	16.00"
GL24WM	24.00"	21.25"	24.50"	22.00"
GL36WM	36.00"	21.25"	24.50"	22.00"
GL48WM	48.00"	21.25"	24.50"	22.00"

INTERPRET DRAWING PER ASME Y14.5M-1994  
DIMENSIONAL LIMITS APPLY  
AFTER APPLICATION OF FINISH  
DRAWING NOT TO SCALE  
TOLERANCE UNLESS OTHERWISE NOTED:  
ANGULAR +/- 1  
.XXXX +/- .010  
.XXX +/- .015  
.XX +/- .030  
.X FOR REF. ONLY

**NOTICE:**  
Use of this document is subject to a confidentiality and nondisclosure agreement with Great Lakes Case & Cabinet Co., Inc. (GLCC) and may not be reproduced, disclosed or utilized in whole or in part without prior written authorization from GLCC.

PART NUMBER:  
QTY PER UNIT: 1  
MATERIAL TYPE:  
MATERIAL GAUGE:  
FINISH: SEE NOTES  
DRAWN DATE: 1/11/2011  
MZ  
CHECKED & APP. DATE: 1/11/2011  
WSS

TITLE  
**WM Wall Mounts**  
GREAT LAKES CASE & CABINET CO., INC.  
P.O. BOX 551 EDINBORO, PA 16412  
PHONE (814) 734-7303 FAX (814) 734-3907  
E-MAIL glcc@greatcabinets.com  
DWG NO: 1013250  
REV: 0  
SHEET: 1 OF 1



THIRD ANGLE  
PROJECTION  
UNLESS OTHERWISE SPECIFIED  
ALL DIMENSIONS ARE IN INCHES