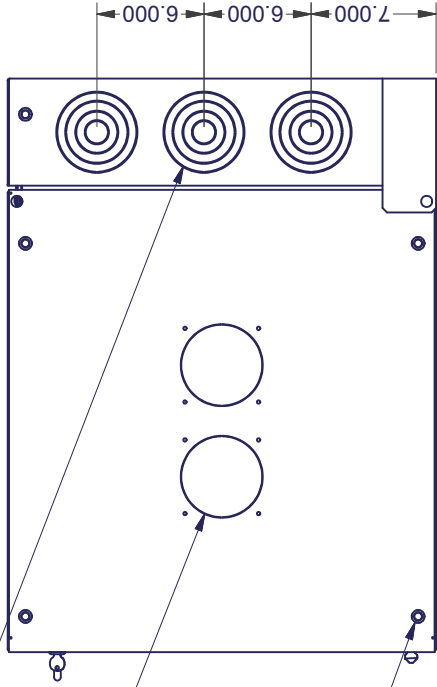


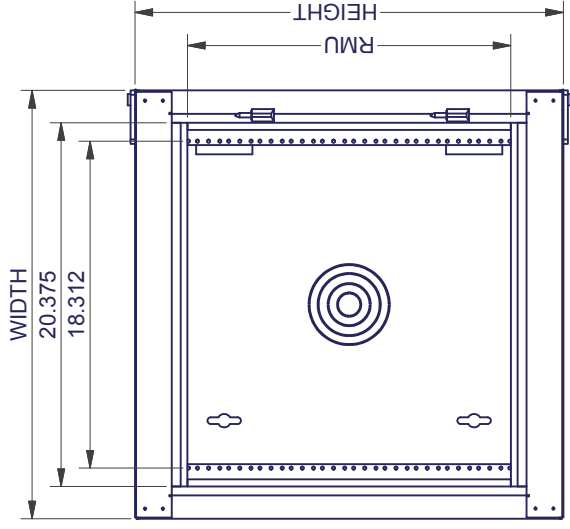
1", 2", 3", AND 4"  
REAR SECTION NOMINAL  
CONCENTRIC CONDUIT  
KNOCKOUT

FAN KNOCKOUTS FOR  
7217WS ASSEMBLY LOCATED  
ON TOP AND BOTTOM

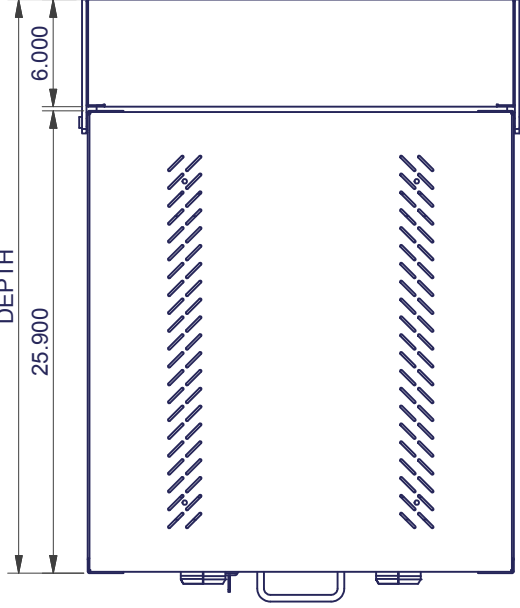
DIA. 1/2" - 13 THREADS  
TOP AND BOTTOM  
5 PLACES



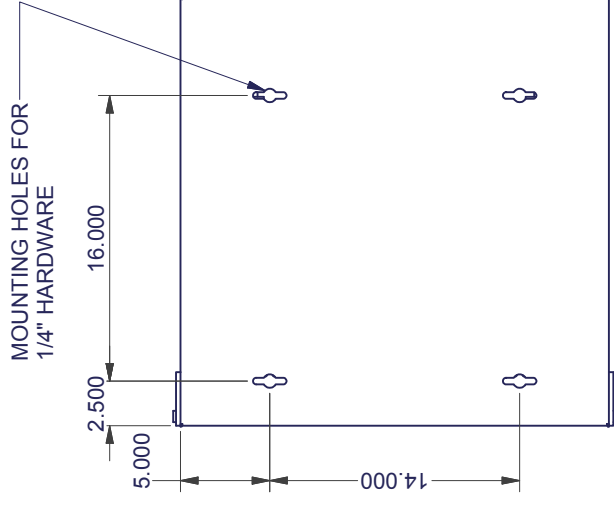
TOP VIEW



FRONT VIEW  
(without Door)

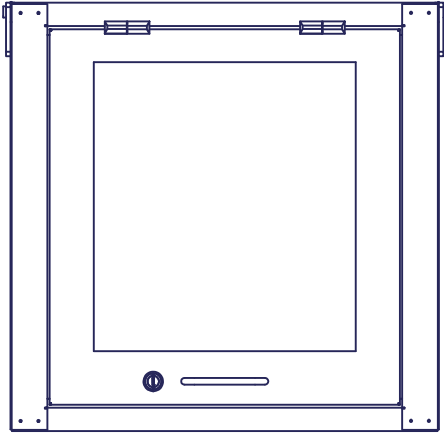


RIGHT SIDE VIEW

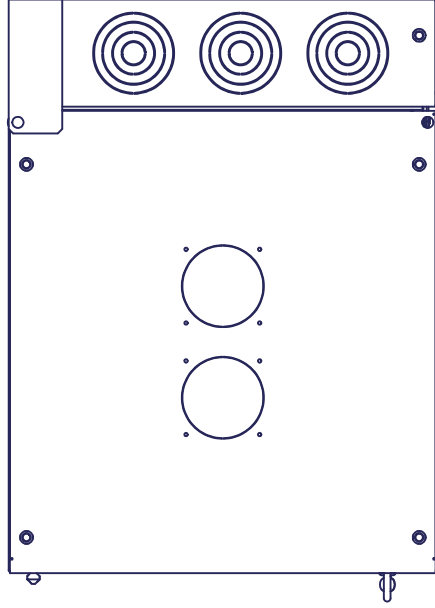


BACK VIEW

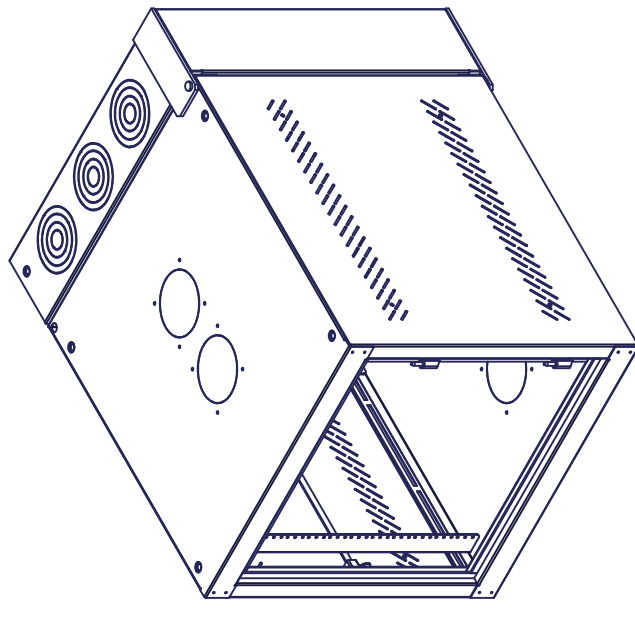
MOUNTING HOLES FOR  
1/4" HARDWARE



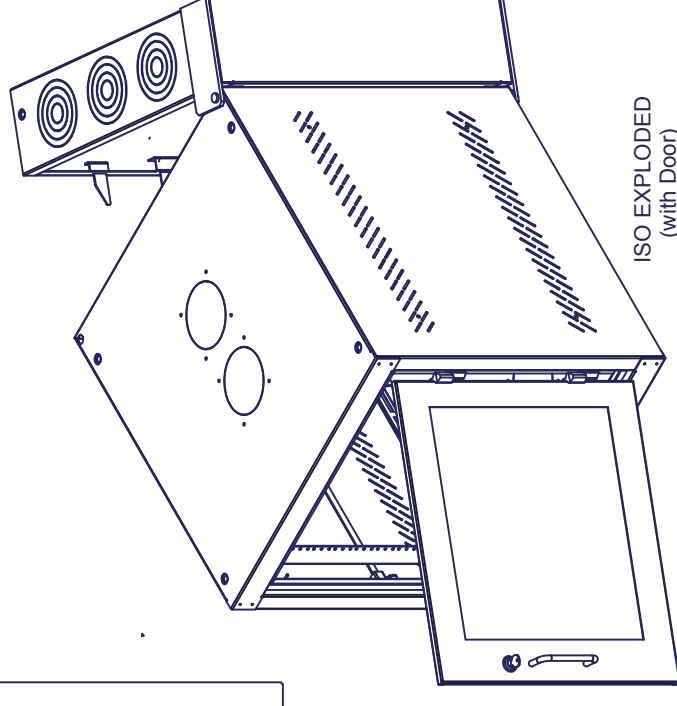
FRONT VIEW  
(with Door)



BOTTOM VIEW



ISO COLLAPSED  
(without Door)



ISO EXPLODED  
(with Door)

Part No.	H	W	D	RMU
GL24WD	24.00"	24.00"	32.13"	11
GL36WD	36.00"	24.00"	32.13"	18
GL48WD	48.00"	24.00"	32.13"	25

INTERPRET DRAWING PER ASME Y14.5M-1994  
DIMENSIONAL LIMITS APPLY  
AFTER APPLICATION OF FINISH  
DRAWING NOT TO SCALE  
TOLERANCE UNLESS OTHERWISE NOTED:  
ANGULAR +/- 1  
.XXX +/- .010  
.XX +/- .015  
.X FOR REF ONLY  
UNLESS OTHERWISE SPECIFIED  
ALL DIMENSIONS ARE IN INCHES

**NOTICE:**  
Use of this document is subject to a confidentiality and nondisclosure agreement with Great Lakes Case & Cabinet Co., Inc. (GLCC) and may not be reproduced, disclosed or utilized in whole or in part without prior written authorization from GLCC.

PART NUMBER: \_\_\_\_\_  
QTY PER UNIT: 1  
MATERIAL TYPE: \_\_\_\_\_  
MATERIAL GAUGE: \_\_\_\_\_  
FINISH: SEE NOTES  
DRAWN: \_\_\_\_\_ DATE: 1/11/2011  
CHECKED & APP. DATE: 1/11/2011  
WSS

TITLE: \_\_\_\_\_  
GREAT LAKES CASE & CABINET CO., INC.  
P.O. BOX 551 EDINBORO, PA 16412  
PHONE (814) 734-7303 FAX (814) 734-3907  
E-MAIL glcc@greatlakes.com  
DWG NO: 1013250  
REV: 0  
SHEET: 1 OF 1