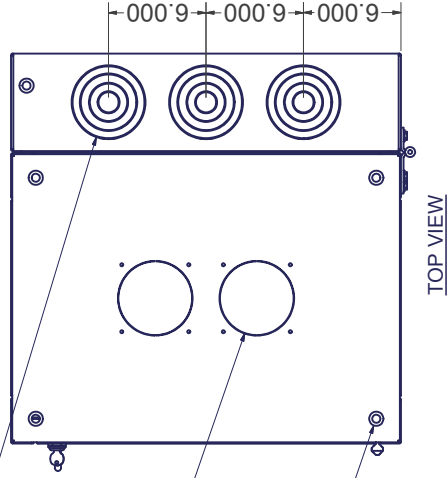


1", 2", 3", and 4"  
REAR SECTION NOMINAL  
CONCENTRIC CONDUIT  
KNOCKOUT

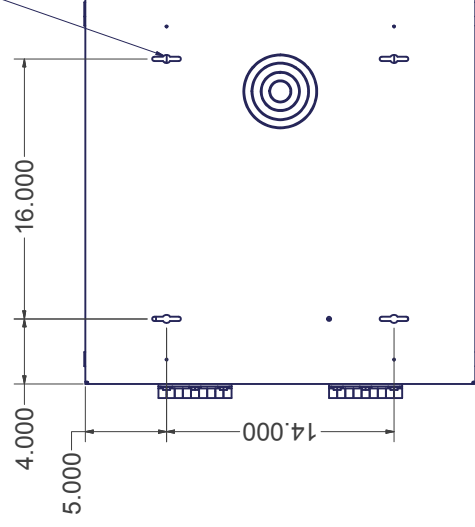
FAN KNOCKOUTS FOR  
7217WS ASSEMBLY LOCATED  
ON TOP AND BOTTOM

DIA. 1/2" - 13 THREADS  
TOP AND BOTTOM  
5 PLACES

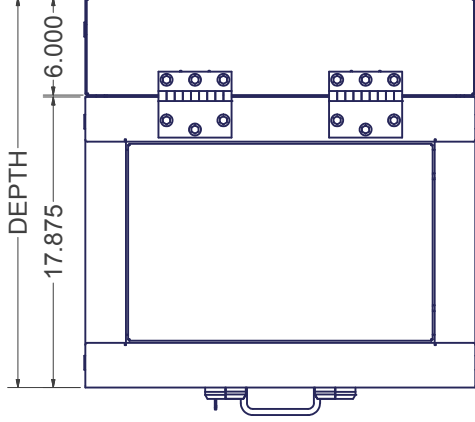


TOP VIEW

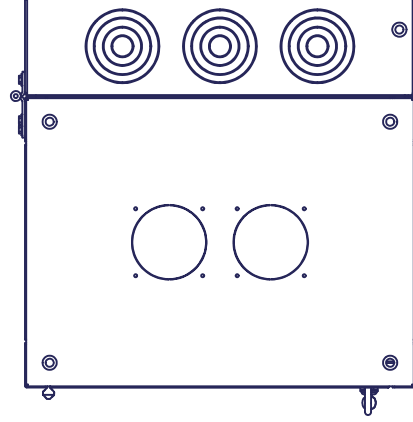
MOUNTING HOLES FOR  
1/4" HARDWARE



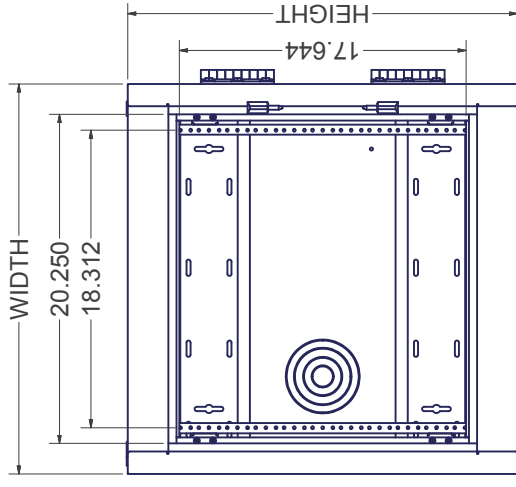
BACK VIEW



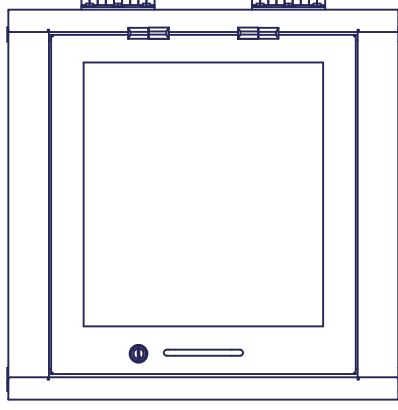
RIGHT SIDE VIEW



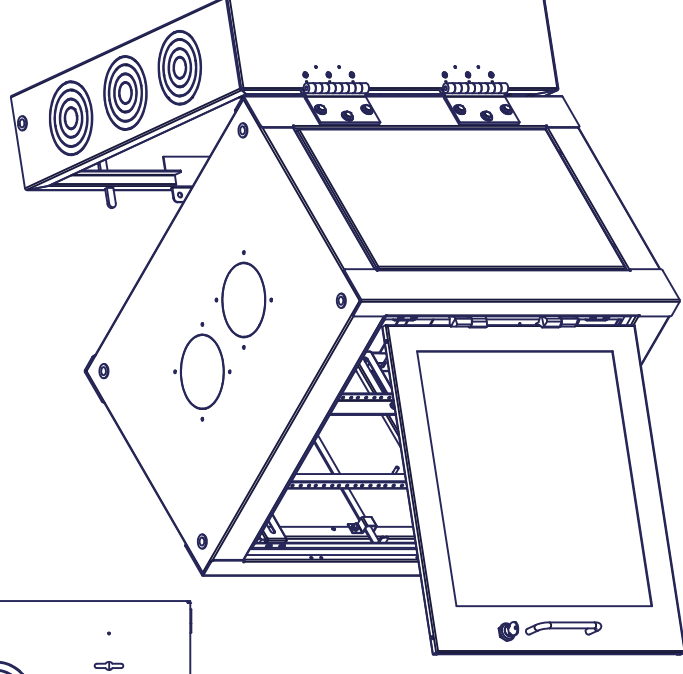
BOTTOM VIEW



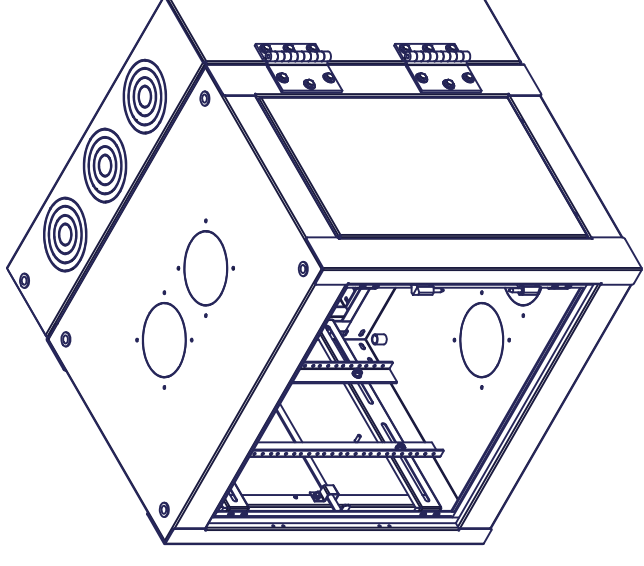
FRONT VIEW  
(without Door)



FRONT VIEW  
(with Door)



ISO EXPLODED  
(with Door)



ISO COLLAPSED  
(without Door)

Part No.	Height	Width	Depth
GL24WS	24.00"	24.00"	24.00"
GL36WS	36.00"	24.00"	24.00"
GL48WS	48.00"	24.00"	24.00"

INTERPRET DRAWING PER ASME Y14.5M-1994  
DIMENSIONAL LIMITS APPLY  
AFTER APPLICATION OF FINISH  
DRAWING NOT TO SCALE  
TOLERANCE UNLESS OTHERWISE NOTED:  
ANGULAR +/- 1  
.XXX +/- .010  
.XX +/- .030  
X FOR REF ONLY  
UNLESS OTHERWISE SPECIFIED  
ALL DIMENSIONS ARE IN INCHES

**NOTICE:**  
Use of this document is subject to a confidentiality and nondisclosure agreement with Great Lakes Case & Cabinet Co., Inc. (GLCC) and may not be reproduced, disclosed or utilized in whole or in part without prior written authorization from GLCC.

PART NUMBER: 1013250  
QTY PER UNIT: 1  
MATERIAL TYPE:  
MATERIAL GAUGE:  
FINISH: SEE NOTES  
DRAWN: MZ  
CHECKED & APP. DATE: 1/11/2011  
WSS DATE: 1/11/2011

TITLE: **WS Wall Mounts**  
GREAT LAKES CASE & CABINET CO., INC.  
P.O. BOX 551 EDINBORO, PA 16412  
PHONE (814) 734-7303 FAX (814) 734-3907  
E-MAIL glcc@greatcabinets.com  
DWG NO: 1013250  
REV: 0  
SHEET: 1 OF 1



THIRD ANGLE  
PROJECTION