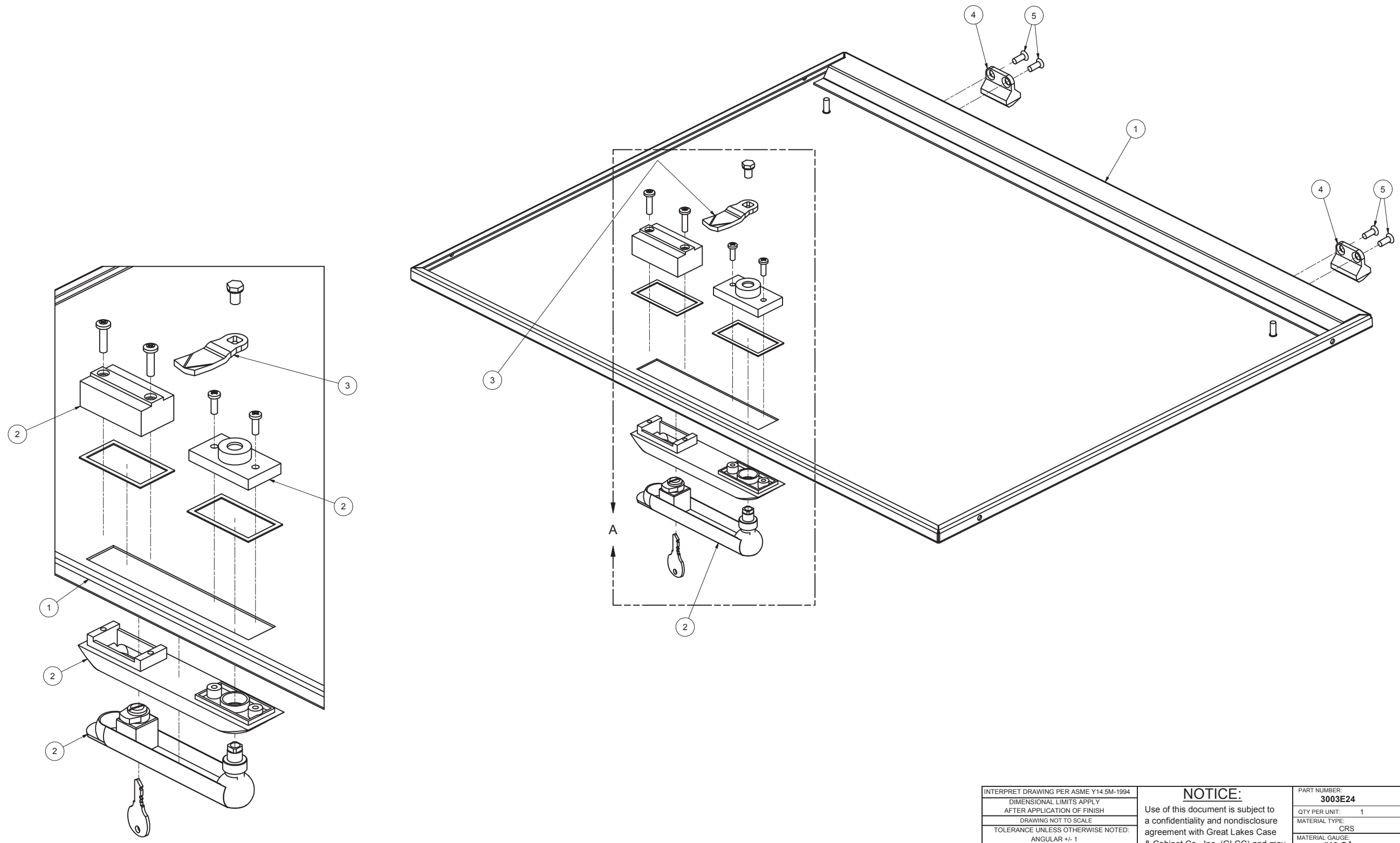


REVISION HISTORY			
REV	DESCRIPTION	DATE	APPROVED
0	ECO-01273	7/28/2003	WSS
1	ECO-02822	3/23/2010	FED

Bill of Material						
ITEM	PART NUMBER	STOCK NUMBER	QTY	DESCRIPTION	FILE NAME	REVISION
1			1	SOLID STEEL DOOR FOR 30"H X 24"W 'E' - WELDMENT & DETAIL	I001585.iam	1
2	XHGLCC	H19-067	1	GLCC SWING HANDLE	XHGLCC NO CAM.iam	-
3	AA57711001	H17-005	1	SINGLE POINT CAM FOR XHGLCC	AA5771100.ipt	-
4	HINGEF	H20-023	2	HINGE GLCC - FEMALE	I000535.ipt	0
5	SCR1032X500FHBLK23	H01-156	4	SCREW, 10-32x1/2" PH FLAT TYPE 23 BLACK OXIDE/WAX RoHS	SCR1032X500FHBLK23.ipt	-



DETAIL A

1 REDESIGNED & ADDED SHEET 2
 THIRD ANGLE PROJECTION

INTERPRET DRAWING PER ASME Y14.5M-1994
 DIMENSIONAL LIMITS APPLY AFTER APPLICATION OF FINISH
 DRAWING NOT TO SCALE
 TOLERANCE UNLESS OTHERWISE NOTED:
 ANGULAR +/- 1
 .XXXX +/- .010
 .XXX +/- .015
 .XX +/- .030
 .X FOR REF. ONLY
 UNLESS OTHERWISE SPECIFIED ALL DIMENSIONS ARE IN INCHES

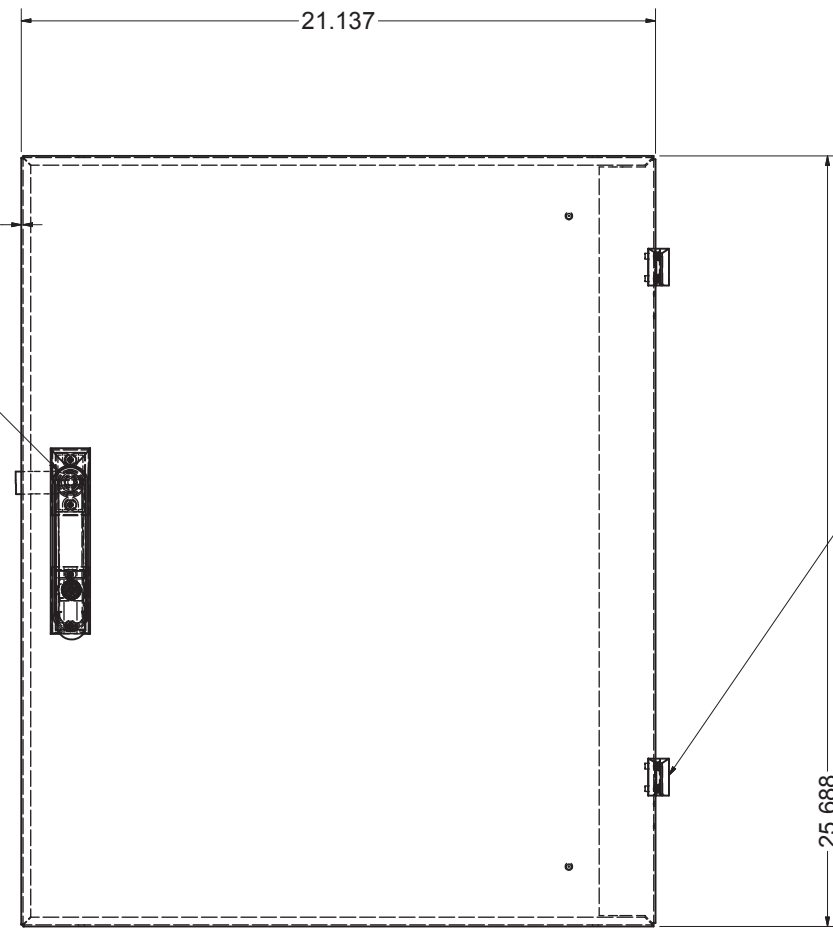
NOTICE:
 Use of this document is subject to a confidentiality and nondisclosure agreement with Great Lakes Case & Cabinet Co., Inc. (GLCC) and may not be reproduced, disclosed or utilized in whole or in part without prior written authorization from GLCC.

PART NUMBER: **3003E24**
 QTY PER UNIT: 1
 MATERIAL TYPE: CRS
 MATERIAL GAUGE: #16 GA
 FINISH: -
 DRAWN: CA DATE: 7/25/2003
 CHECKED & APP. DATE: WSS 7/28/2003

TITLE: **SOLID DOOR ASSEMBLY FOR 30"H x 24"W 'E'**
 GREAT LAKES CASE & CABINET CO., INC.
 P.O. BOX 551 EDINBORO, PA 16412
 PHONE (814) 734-7303 FAX (814) 734-3907
 E-MAIL glcc@greatcabinets.com
 DWG NO: **1001584** REV: **1** SHEET: 1 OF 2



TOP VIEW



FRONT VIEW

16 GA WELDED CRS
CONSTRUCTION W/
TEXTURED BLACK
POWDERCOAT FINISH

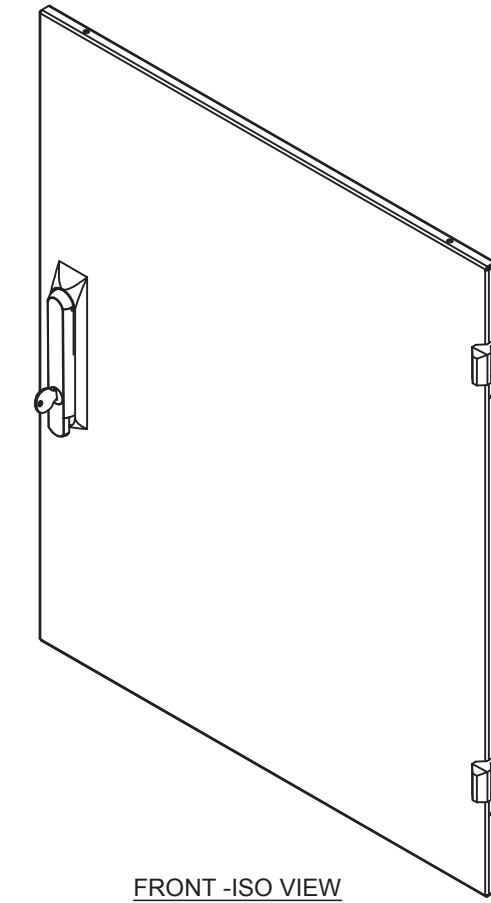
SWING HANDLE w/KEYED
LOCK-OPTIONAL HANDLES
ARE AVAILABLE

REVERSIBLE HANDLE AND HINGES
ALLOW THE DOOR TO BE EITHER
RIGHT OR LEFT-HAND HINGED

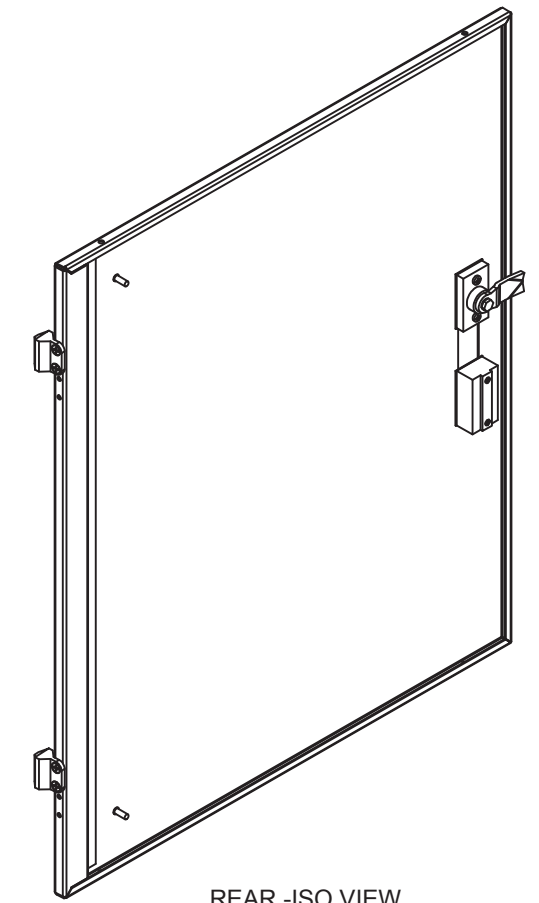


HINGED SIDE VIEW

GROUNDING STUD, (2) PLC'S



FRONT -ISO VIEW



REAR -ISO VIEW

1 REDESIGNED &
ADDED SHEET 2

THIRD ANGLE
PROJECTION

INTERPRET DRAWING PER ASME Y14.5M-1994
DIMENSIONAL LIMITS APPLY AFTER APPLICATION OF FINISH
DRAWING NOT TO SCALE
TOLERANCE UNLESS OTHERWISE NOTED:
ANGULAR +/- .1
.XXXX +/- .010
.XXX +/- .015
.XX +/- .030
.X FOR REF. ONLY
UNLESS OTHERWISE SPECIFIED ALL DIMENSIONS ARE IN INCHES

NOTICE:
Use of this document is subject to a confidentiality and nondisclosure agreement with Great Lakes Case & Cabinet Co., Inc. (GLCC) and may not be reproduced, disclosed or utilized in whole or in part without prior written authorization from GLCC.

PART NUMBER: 3003E24
QTY PER UNIT: 1
MATERIAL TYPE: CRS
MATERIAL GAUGE:
FINISH: -
DRAWN: CA DATE: 7/25/2003
CHECKED & APP. DATE: 3/23/2010
BIII S

TITLE: SOLID DOOR ASSEMBLY FOR 30"H x 24"W 'E'
GREAT LAKES CASE & CABINET CO., INC. P.O. BOX 551 EDINBORO, PA 16412 PHONE (814) 734-7303 FAX (814) 734-3907 E-MAIL glcc@greatcabinets.com
DWG NO: 1001584
REV: 1
SHEET: 2 OF 2