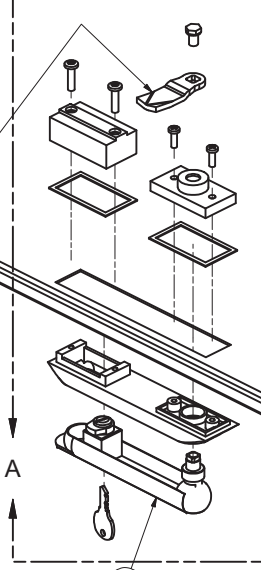
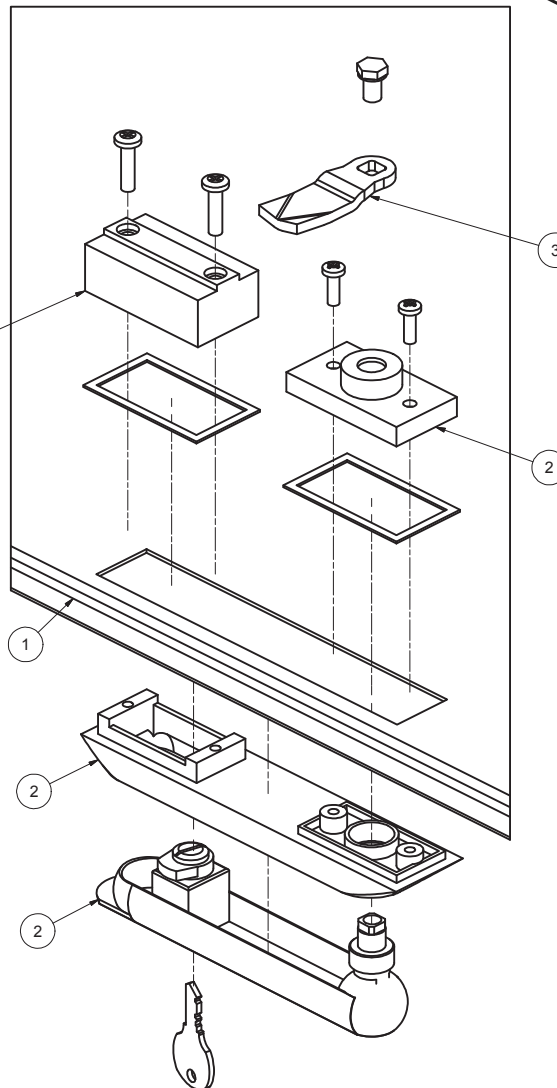
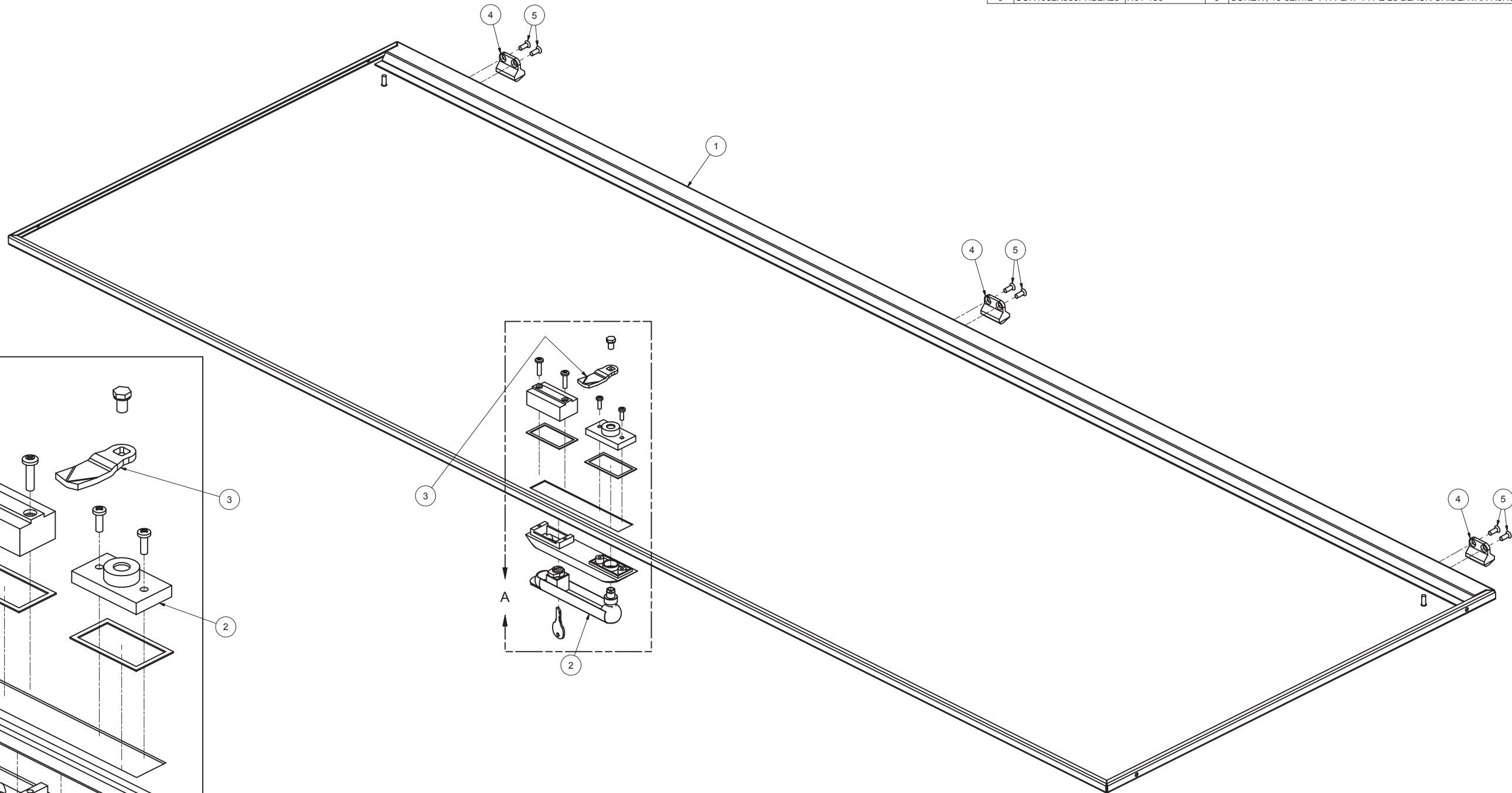


REVISION HISTORY			
REV	DESCRIPTION	DATE	APPROVED
0	ECO-01364	3/2/2004	WSS
1	ECO-01979	7/2/2007	JL
2	ECO-02822	3/19/2010	FED

Bill of Material						
ITEM	PART NUMBER	STOCK NUMBER	QTY	DESCRIPTION	FILE NAME	REVISION
1			1	SOLID STEEL DOOR FOR 78"H X 29"W 'E' - WELDMENT & DETAIL	I002075.iam	1
2	XHGLCC	H19-067	1	GLCC SWING HANDLE	XHGLCC NO CAM.iam	-
3	AA57711001	H17-005	1	SINGLE POINT CAM FOR XHGLCC	AA5771100.ipt	-
4	HINGEF	H20-023	3	HINGE GLCC - FEMALE	I000535.ipt	0
5	SCR1032X500FHBLK23	H01-156	6	SCREW, 10-32x1/2" PH FLAT TYPE 23 BLACK OXIDE/WAX RoHS	SCR1032X500FHBLK23.ipt	-



DETAIL A

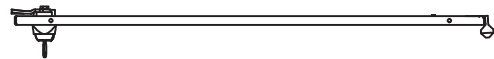
REDESIGNED & ADDED SHEET 2
THIRD ANGLE PROJECTION

INTERPRET DRAWING PER ASME Y14.5M-1994
DIMENSIONAL LIMITS APPLY AFTER APPLICATION OF FINISH
DRAWING NOT TO SCALE
TOLERANCE UNLESS OTHERWISE NOTED:
ANGULAR +/- .1
.XXXX +/- .010
.XXX +/- .015
.XX +/- .030
.X FOR REF. ONLY
UNLESS OTHERWISE SPECIFIED ALL DIMENSIONS ARE IN INCHES

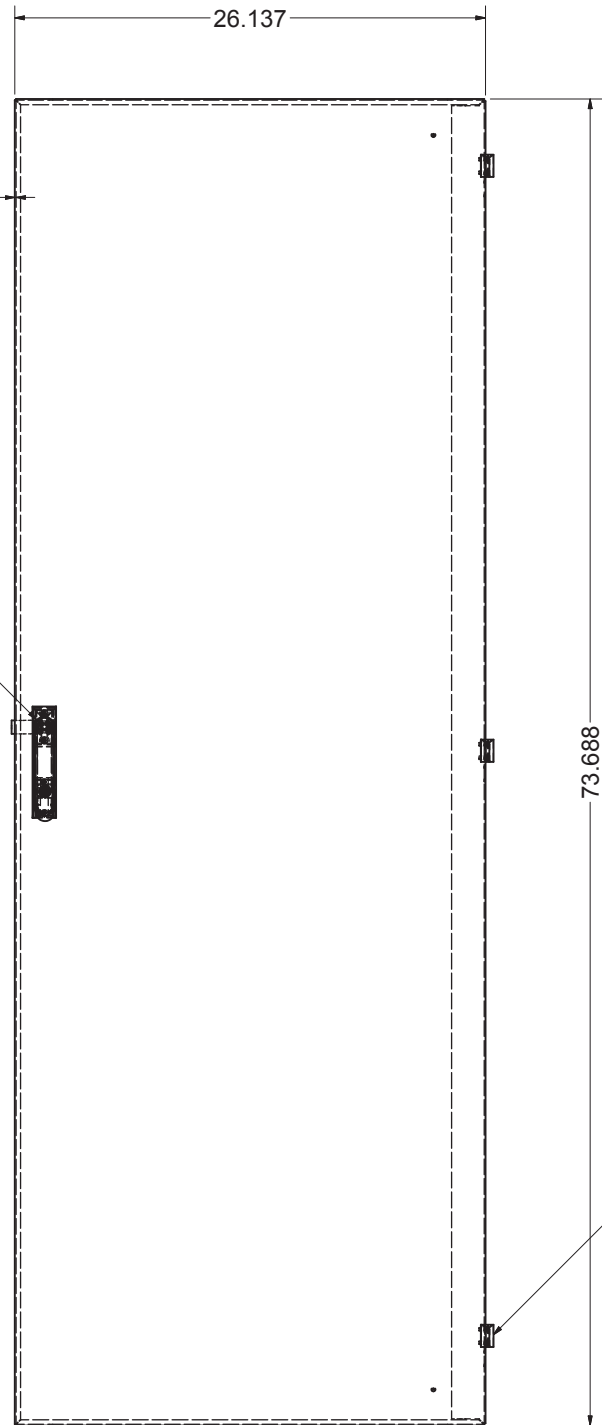
NOTICE:
Use of this document is subject to a confidentiality and nondisclosure agreement with Great Lakes Case & Cabinet Co., Inc. (GLCC) and may not be reproduced, disclosed or utilized in whole or in part without prior written authorization from GLCC.

PART NUMBER: **7803E29**
QTY PER UNIT: 1
MATERIAL TYPE: CRS
MATERIAL GAUGE: **#16 GA**
FINISH: -
DRAWN: JAL DATE: 2/24/2004
CHECKED & APP. DATE: WSS 3/2/2004

TITLE: **SOLID DOOR ASSEMBLY FOR 78"H x 30"W 'E'**
GREAT LAKES CASE & CABINET CO., INC.
P.O. BOX 551 EDINBORO, PA 16412
PHONE (814) 734-7303 FAX (814) 734-3907
E-MAIL glcc@greatcabinets.com
DWG NO: **I002073**
REV: **2**
SHEET: 1 OF 2



TOP VIEW

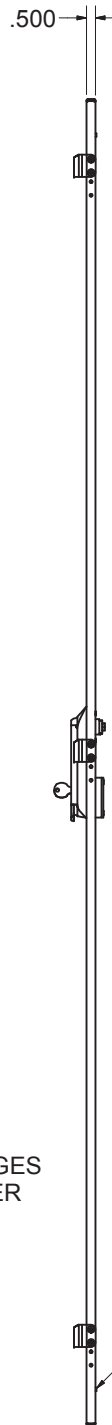


FRONT VIEW

16 GA WELDED CRS CONSTRUCTION W/ TEXTURED BLACK POWDERCOAT FINISH

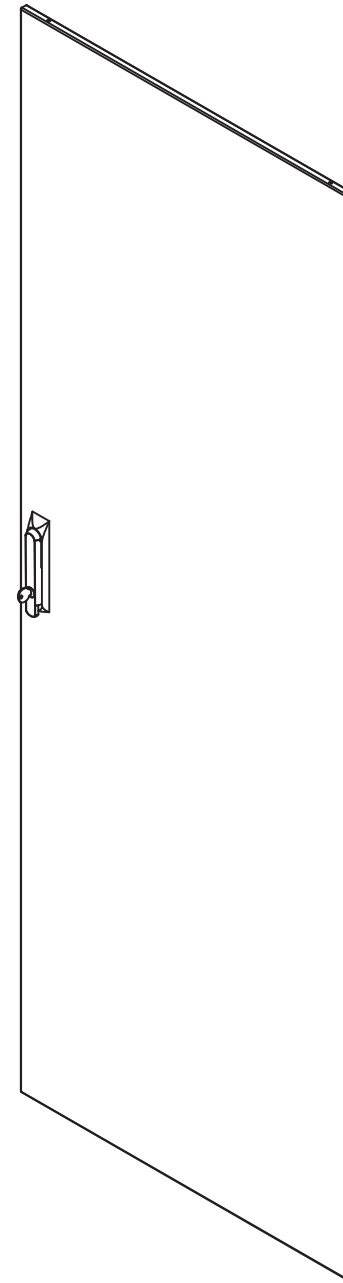
SWING HANDLE w/KEYED LOCK-OPTIONAL HANDLES ARE AVAILABLE

REVERSIBLE HANDLE AND HINGES ALLOW THE DOOR TO BE EITHER RIGHT OR LEFT-HAND HINGED

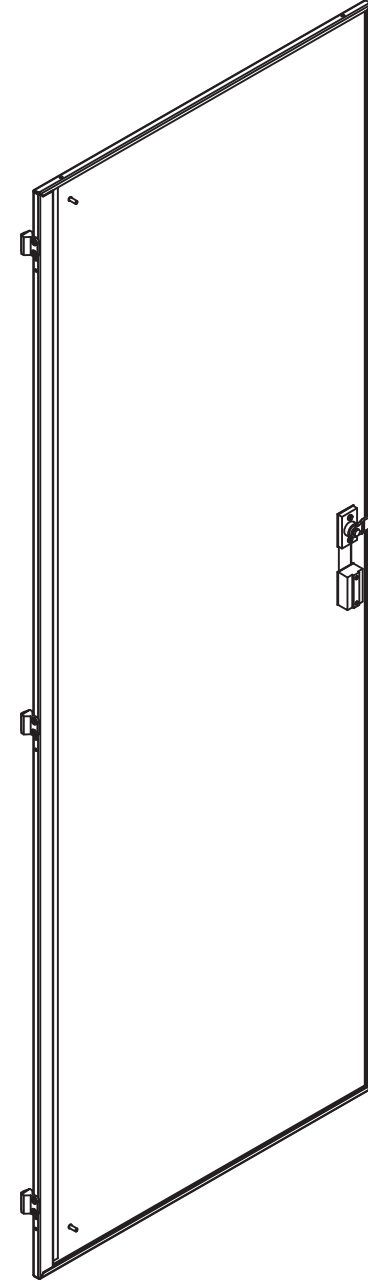


HINGED SIDE VIEW

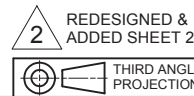
GROUNDING STUD, (2) PLC'S



FRONT -ISO VIEW



REAR -ISO VIEW



INTERPRET DRAWING PER ASME Y14.5M-1994	
DIMENSIONAL LIMITS APPLY AFTER APPLICATION OF FINISH	
DRAWING NOT TO SCALE	
TOLERANCE UNLESS OTHERWISE NOTED:	
ANGULAR +/-	1
.XXXX +/-	.010
.XXX +/-	.015
.XX +/-	.030
.X FOR REF.	ONLY
UNLESS OTHERWISE SPECIFIED ALL DIMENSIONS ARE IN INCHES	

NOTICE:
Use of this document is subject to a confidentiality and nondisclosure agreement with Great Lakes Case & Cabinet Co., Inc. (GLCC) and may not be reproduced, disclosed or utilized in whole or in part without prior written authorization from GLCC.

PART NUMBER:	7803E29
QTY PER UNIT:	1
MATERIAL TYPE:	CRS
MATERIAL GAUGE:	
FINISH:	-
DRAWN	DATE
JAL	2/24/2004
CHECKED & APP.	DATE
WSS	3/19/2010

TITLE		SOLID DOOR ASSEMBLY FOR 78"H x 30"W 'E'	
GREAT LAKES CASE & CABINET CO., INC.			
P.O. BOX 551 EDINBORO, PA 16412			
PHONE (814) 734-7303 FAX (814) 734-3907			
E-MAIL glcc@greatcabinets.com			
DWG NO:	1002073	REV	2
		SHEET: 2 OF 2	