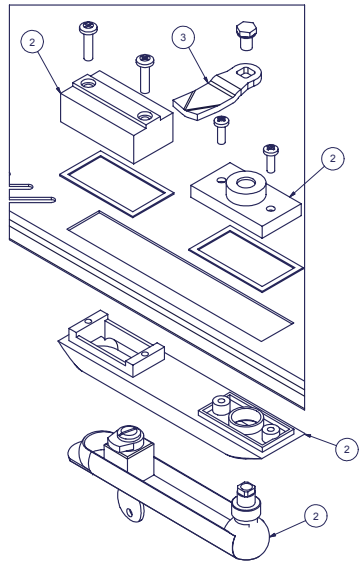
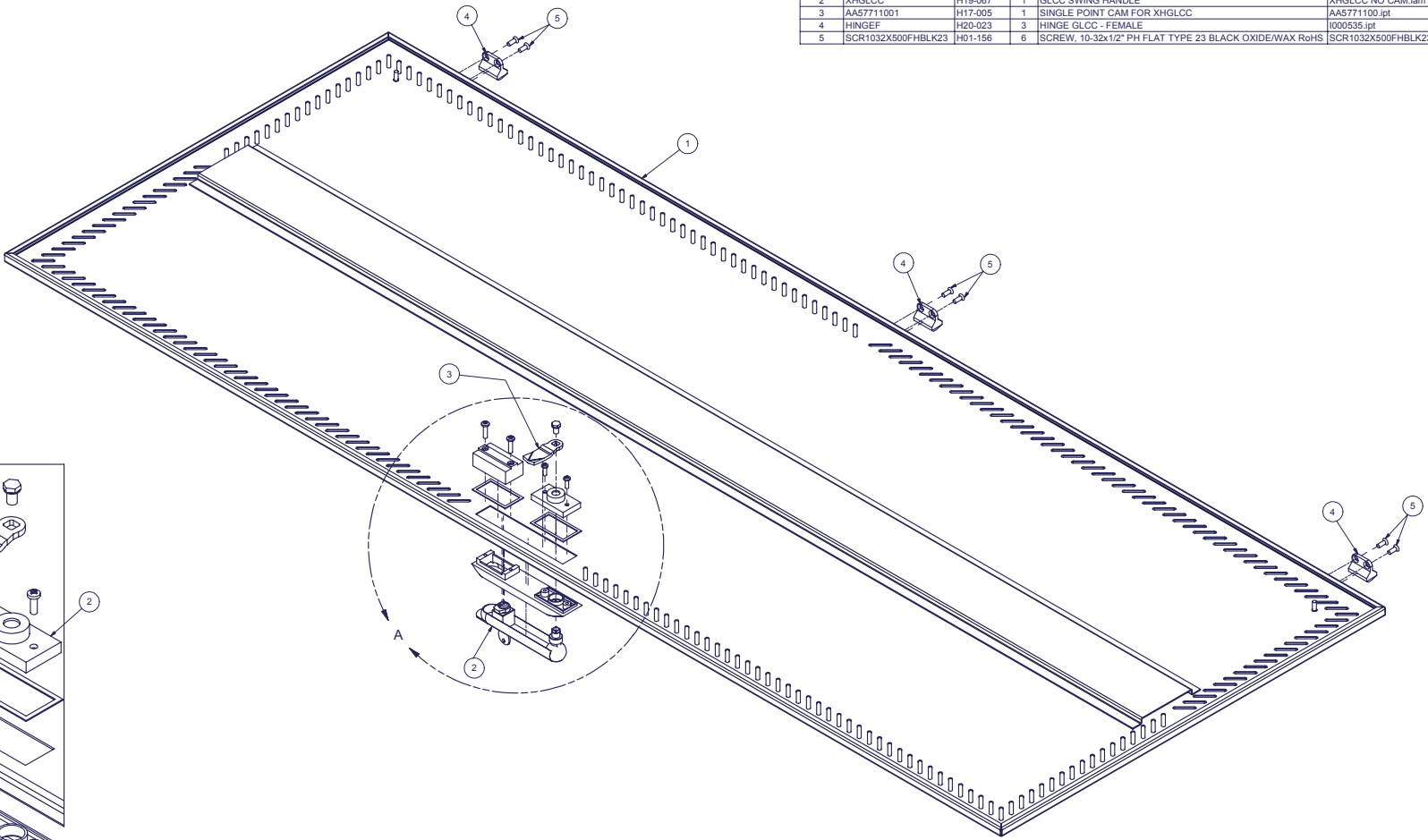


REVISION HISTORY			
REV	DESCRIPTION	DATE	APPROVED
4	ECO-01302	9/2/2003	JAL
5	ECO-02616	8/5/2009	FED

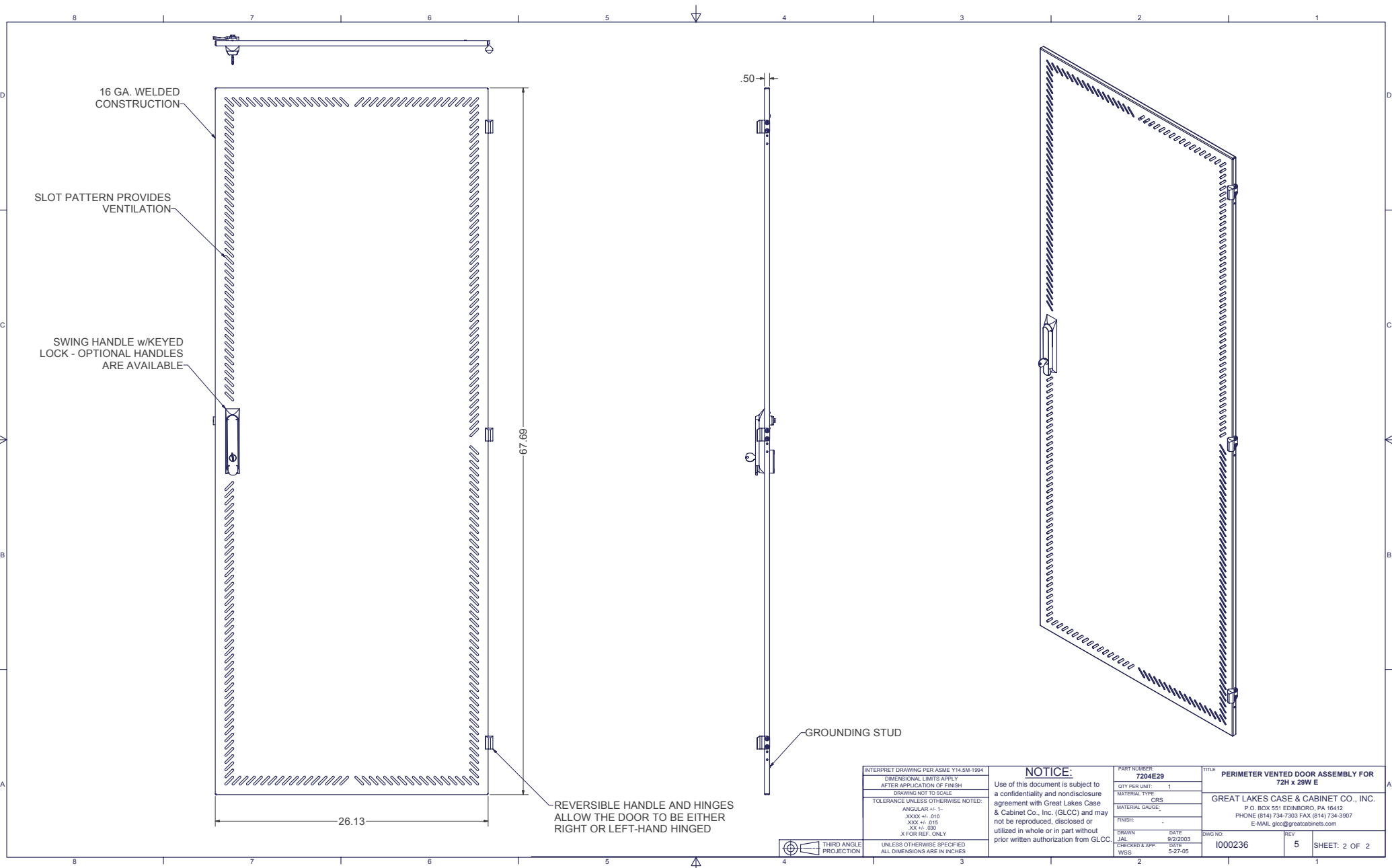
Bill of Material						
ITEM	PART NUMBER	STOCK NU	QTY	DESCRIPTION	FILE NAME	REVISION
1	-	-	1	PERIMETER VENTED DOOR WELDMENT FOR 72H x 29W E	I000237.iam	4
2	XHGLCC	H19-067	1	GLCC SWING HANDLE	XHGLCC NO CAM.iam	-
3	AA57711001	H17-005	1	SINGLE POINT CAM FOR XHGLCC	AA5771100.1pt	-
4	HINGEF	H20-023	3	HINGE GLCC - FEMALE	I000555.1pt	0
5	SCR1032X500FHBLK23	H01-166	6	SCREW, 10-32x1/2" PH FLAT TYPE 23 BLACK OXIDE/WAX RoHS	SCR1032X500FHBLK23.1pt	-



DETAIL A



INTERPRET DRAWING PER ASME Y14.5M-1994	NOTICE: Use of this document is subject to a confidentiality and nondisclosure agreement with Great Lakes Case & Cabinet Co., Inc. (GLCC) and may not be reproduced, disclosed or utilized in whole or in part without prior written authorization from GLCC.	PART NUMBER: 7204E29	TITLE: PERIMETER VENTED DOOR ASSEMBLY FOR 72H x 29W E
DIMENSIONAL LIMITS APPLY AFTER APPLICATION OF FINISH DRAWING NOT TO SCALE		QTY PER UNIT: 1	GREAT LAKES CASE & CABINET CO., INC. P.O. BOX 551 EDINBORO, PA 16412 PHONE: (814) 734-7303 FAX: (814) 734-3907 E-MAIL: glcc@greatscabinets.com
TOLERANCE UNLESS OTHERWISE NOTED: ANGULAR +/- .1- XXX +/- .010 XXX +/- .015 XX +/- .030 X FOR REF. ONLY		MATERIAL TYPE: CRS	
UNLESS OTHERWISE SPECIFIED ALL DIMENSIONS ARE IN INCHES		MATERIAL GRADE: #16 GA	
		FINISH: -	
		DRAWN: JAL DATE: 9/2/2003	DWG NO: I000236
		CHECKED & APP: WSS DATE: 9/2/2003	REV: 5
			SHEET: 1 OF 2



16 GA. WELDED CONSTRUCTION

SLOT PATTERN PROVIDES VENTILATION

SWING HANDLE w/KEYED LOCK - OPTIONAL HANDLES ARE AVAILABLE

67.69

26.13

50

GROUNDING STUD

REVERSIBLE HANDLE AND HINGES ALLOW THE DOOR TO BE EITHER RIGHT OR LEFT-HAND HINGED

INTERPRET DRAWING PER ASME Y14.5M-1994	
DIMENSIONAL LIMITS APPLY AFTER APPLICATION OF FINISH	
DRAWING NOT TO SCALE	
TOLERANCE UNLESS OTHERWISE NOTED:	
ANGULAR ± .1°	
XXX ± .015	
XX ± .030	
X FOR REF. ONLY	
UNLESS OTHERWISE SPECIFIED ALL DIMENSIONS ARE IN INCHES	

NOTICE:
Use of this document is subject to a confidentiality and nondisclosure agreement with Great Lakes Case & Cabinet Co., Inc. (GLCC) and may not be reproduced, disclosed or utilized in whole or in part without prior written authorization from GLCC.

PART NUMBER	7204E29
QTY PER UNIT	1
MATERIAL TYPE	CRS
MATERIAL GAUGE	
FINISH	
DRAWN	JAL
CHECKED & APP'.	WSS
DATE	9/2/2003
DATE	5-27-05

TITLE		PERIMETER VENTED DOOR ASSEMBLY FOR 72H x 29W E
DRAWN BY		JAL
DWG NO.	1000236	REV
5		
SHEET: 2 OF 2		



THIRD ANGLE PROJECTION