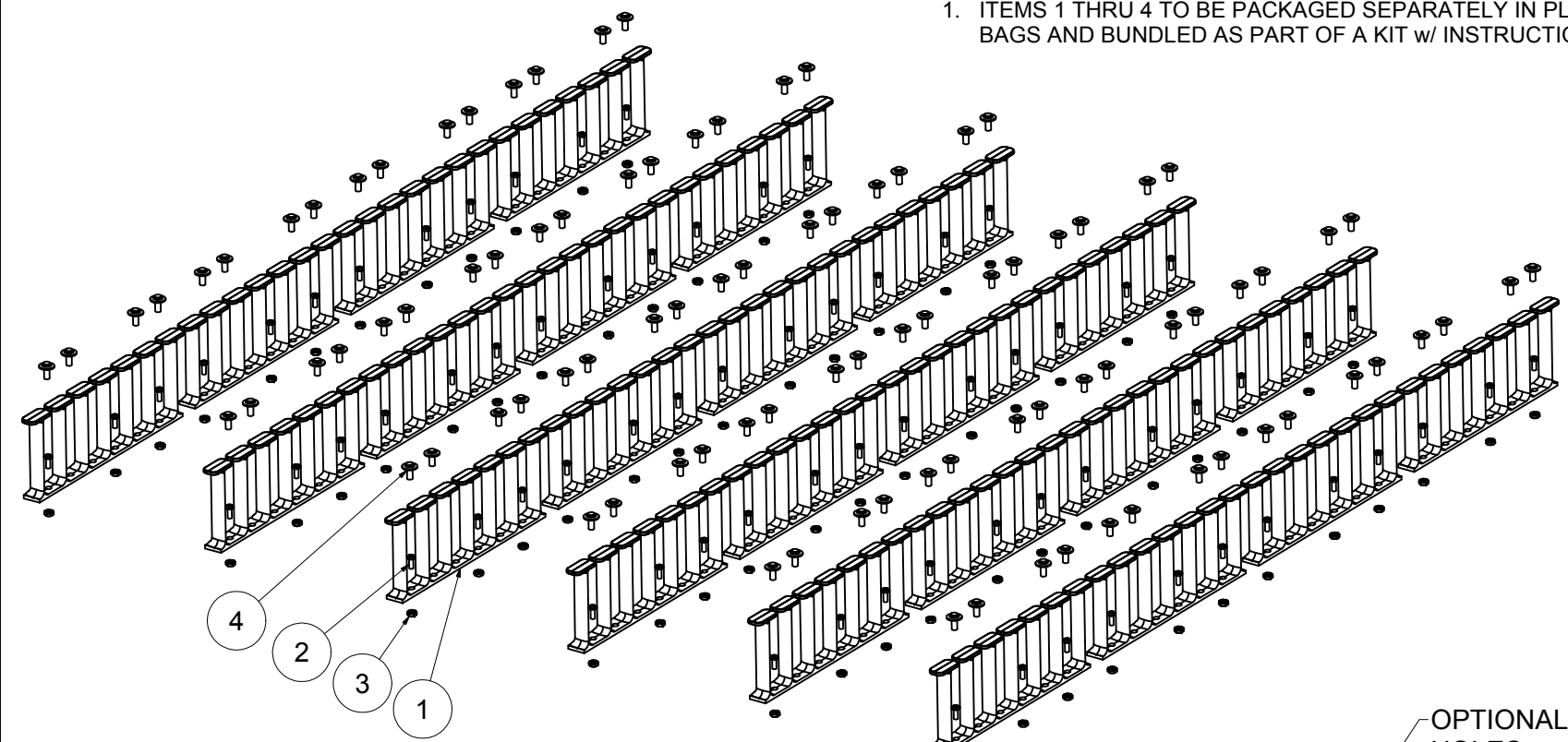


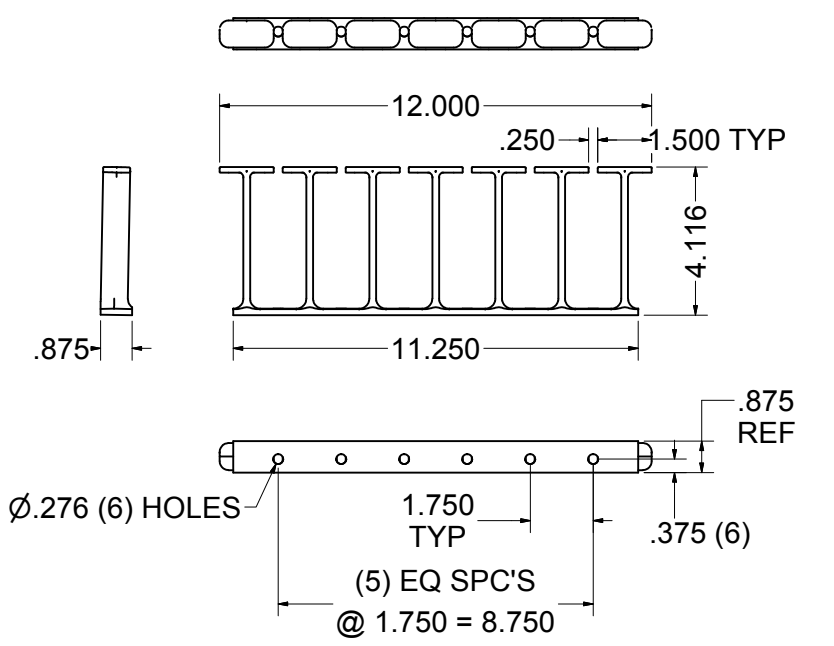
REVISION HISTORY			
REV	DESCRIPTION	DATE	APPROVED
0	ECO-03280	9/12/2011	FED

**NOTES:**  
 1. ITEMS 1 THRU 4 TO BE PACKAGED SEPARATELY IN PLASTIC BAGS AND BUNDLED AS PART OF A KIT W/ INSTRUCTIONS.

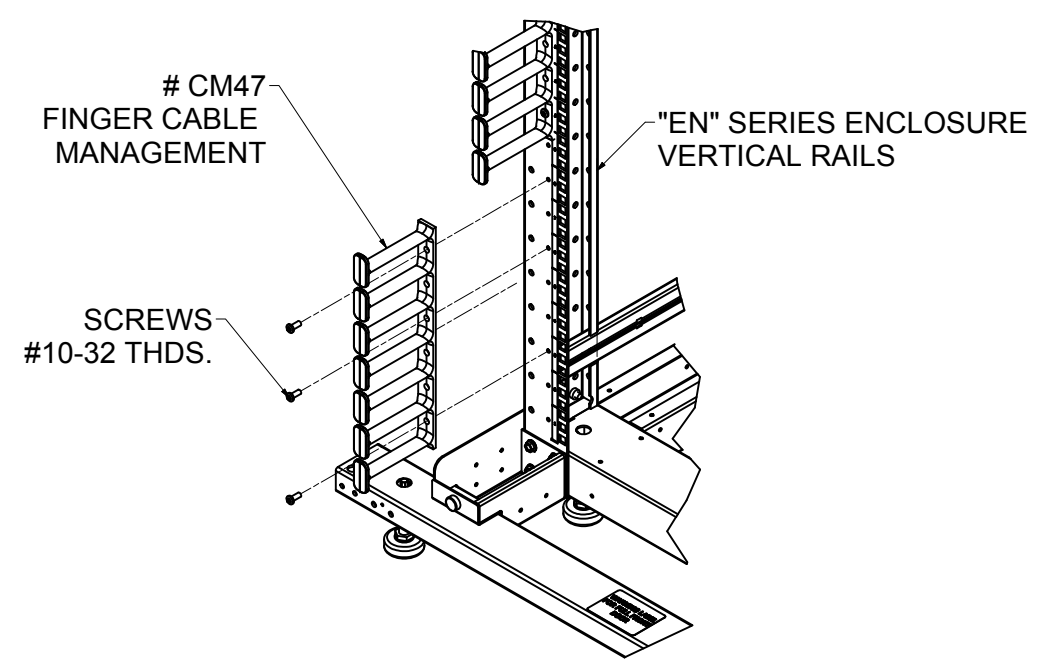
				Bill of Material		
ITEM	PART NUMBER	STOCK NUMBER	QTY	DESCRIPTION	FILE NAME	REV
1	CM47		24	4"DEEP x 7 RMU PLASTIC FINGER CABLE MANAGEMENT	I013299.ipt	3
2	H01-078	H01-078	72	SCREW, 10-32x1/2" PH PAN TYPE 23 BLACK OXIDE/WAX RoHS (SCR1032X500BLK)	H01-078.ipt	-
3	H02-001	H02-001	72	#10-32 KEPS NUT, ZINC RoHS (10/32NUT)	H02-001.iam	-
4	30063008-05004D	H31-022	96	PANEL FASTENER, TUFLOK, ITW-FASTEX. OR EQUIV.	30063008-05004D.ipt	-



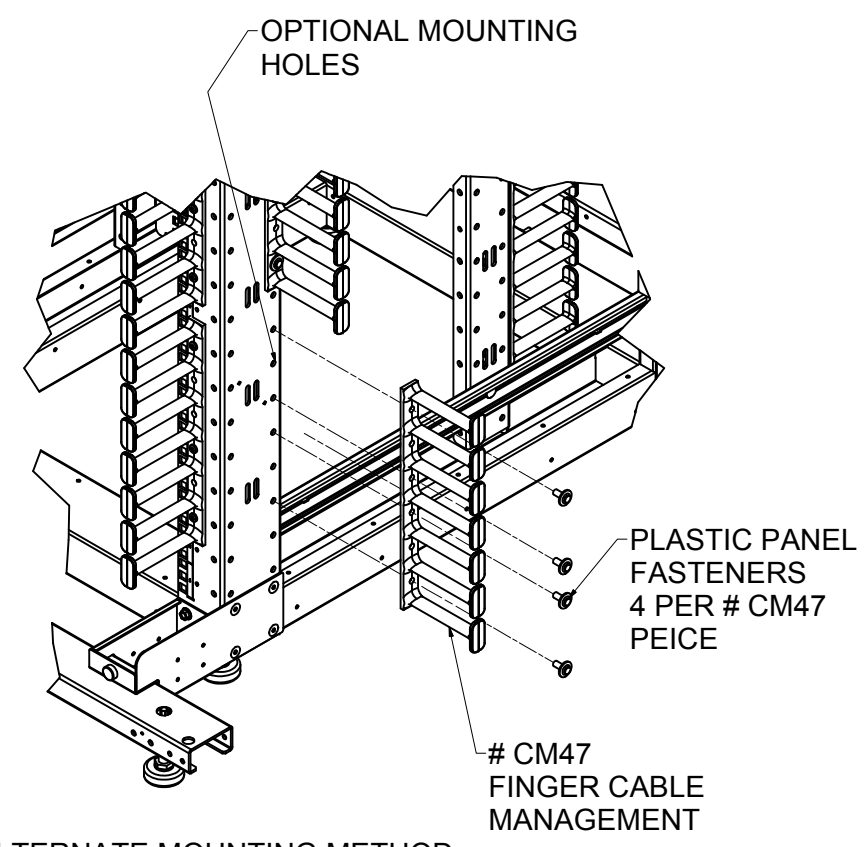
**DETAIL OF TYPICAL PLASTIC CABLE MANAGER (CM-47)**



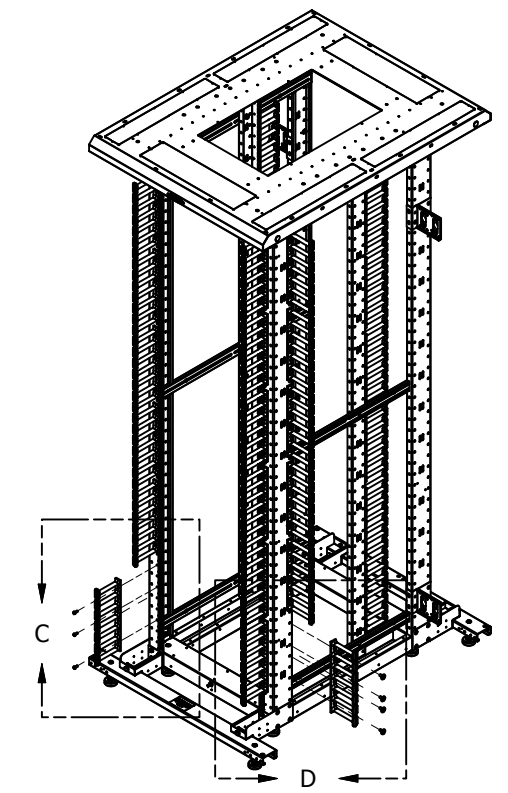
THE ITEMS ABOVE COMPRISE (1) KIT



**STOCK MOUNTING METHOD**  
 ALIGN WITH TAPPED HOLES IN VERTICAL EIA RAILS, INSTALLED WITH SCREWS



**ALTERNATE MOUNTING METHOD**  
 ALIGN WITH THRU HOLES IN VERTICAL RAILS  
 PRESS IN PANEL FASTENER'S REAR CLIPS THRU BOTH PART & THEN PRESS FASTENER'S CENTER INSERT TO SECURE.



INTERPRET DRAWING PER ASME Y14.5M-1994 DIMENSIONAL LIMITS APPLY AFTER APPLICATION OF FINISH DRAWING NOT TO SCALE TOLERANCE UNLESS OTHERWISE NOTED: ANGULAR +/- .1" .XXXX +/- .010 .XXX +/- .015 .XX +/- .030 X FOR REF. ONLY	<b>NOTICE:</b> Use of this document is subject to a confidentiality and nondisclosure agreement with Great Lakes Case & Cabinet Co., Inc. (GLCC) and may not be reproduced, disclosed or utilized in whole or in part without prior written authorization from GLCC.	PART NUMBER: ENC-K24 QTY PER UNIT: 1 MATERIAL TYPE: PURCHASED MATERIAL GAUGE: SEE DETAILS FINISH: AS SUPPLIED	TITLE: CABLE MANAGEMENT KIT FOR 84"H 'EN' ENCLOSURE SIDE MOUNTING GREAT LAKES CASE & CABINET CO., INC. P.O. BOX 551 EDINBORO, PA 16412 PHONE (814) 734-7303 FAX (814) 734-3907 E-MAIL glcc@greatcabinets.com
		DRAWN: FED CHECKED & APP: WSS DATE: 9/12/2011	DWG NO: I014599 REV: 0
		SHEET: 1 OF 1	
		UNLESS OTHERWISE SPECIFIED ALL DIMENSIONS ARE IN INCHES	

