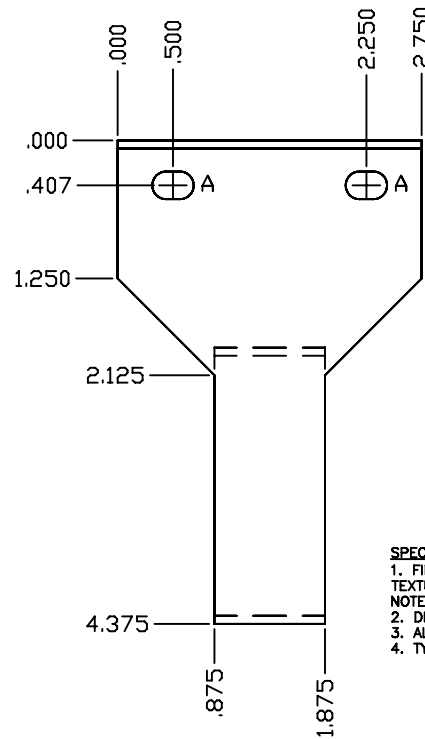
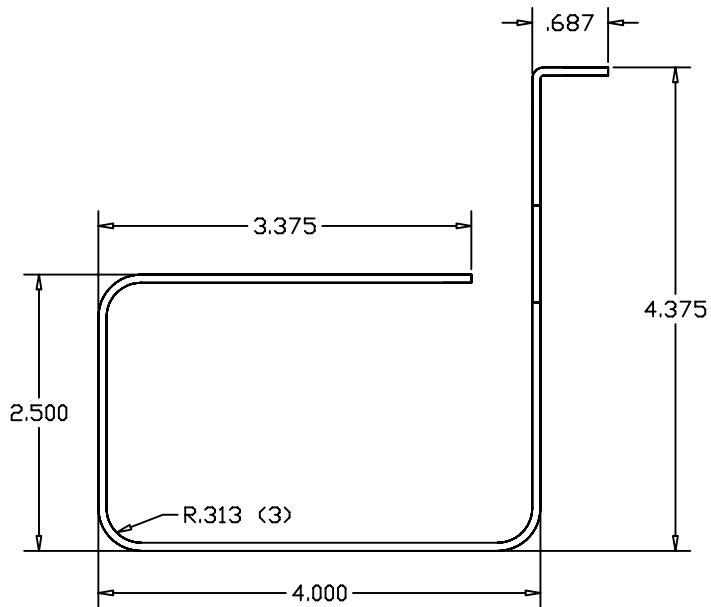
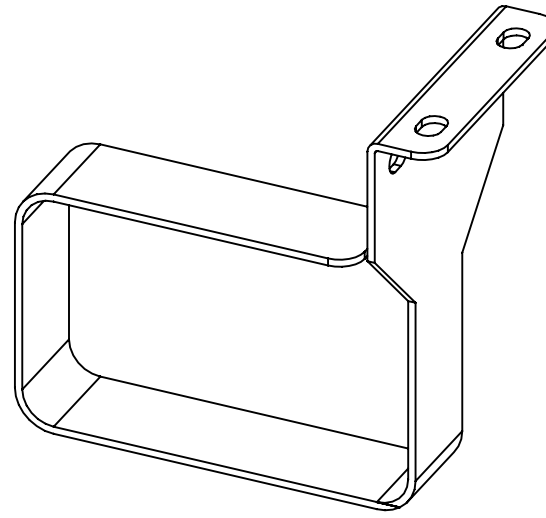
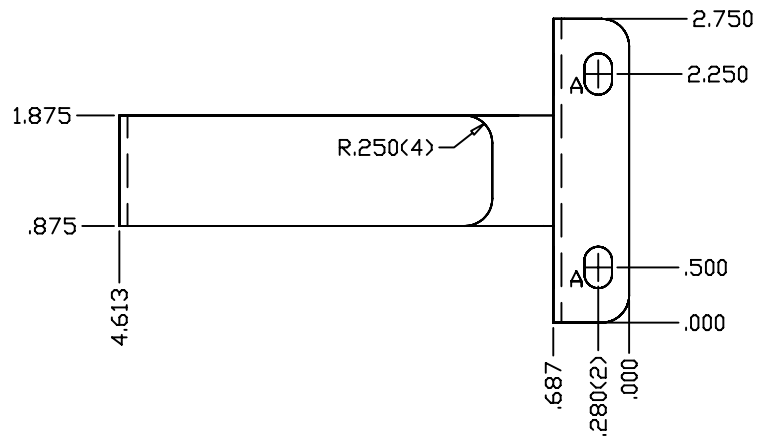


HOLE IDENTIFICATION
CHART

ITEM NO.	DESCRIPTION	QTY
A	0.250 x 0.375 OBR	4

REV #	DATE	INITIALS
0	10-2-01	SB
ECO # 00962		



SPECIAL NOTES:

1. FINISH PER TD-09-103 (POWDER COAT), CLASS B, TEXTURE LEVEL 3, - ALL SURFACES UNLESS OTHERWISE NOTED.
2. DIMENSIONS APPLY AFTER APPLICATION OF FINISH.
3. ALL BENDS 90° UNLESS OTHERWISE SPECIFIED.
4. TYPICAL BEND RADIUS = 0.060

PART NUMBER: CM425

Use of this document is subject to a confidentiality & nondisclosure agreement w/ Great Lakes Case & Cabinet Co., Inc. (GLCC) & may not be reproduced, disclosed or utilized in whole or in part without prior written authorization from GLCC.

DIMENSIONS IN INCHES DO NOT SCALE
TOLERANCES ON DIMENSIONS UNLESS OTHERWISE SPECIFIED
DECIMAL .XXX ± .010 .XX ± .015 .X ± .020 ANGULAR ± 1/2°
FINISH: SEE NOTES

QTY PER UNIT:	1	DRAWN BY:	SB
SCALE:	NTS	DWG DATE:	10-2-01
MATERIAL:	.074 CRS	SHEET:	1 OF 1

PART DESCRIPTION:
CABLE RING
2.75"H x 4"W x 4.375"D



Great Lakes Case & Cabinet Co.
P.O. Box 551 / Edinboro, PA 16412
PHONE: (814) 734-7303 FAX: (814) 734-3807 EMAIL: glcc@greatlakescase.com

REV.	0	DRAWING NO.	GL002815
------	---	-------------	----------