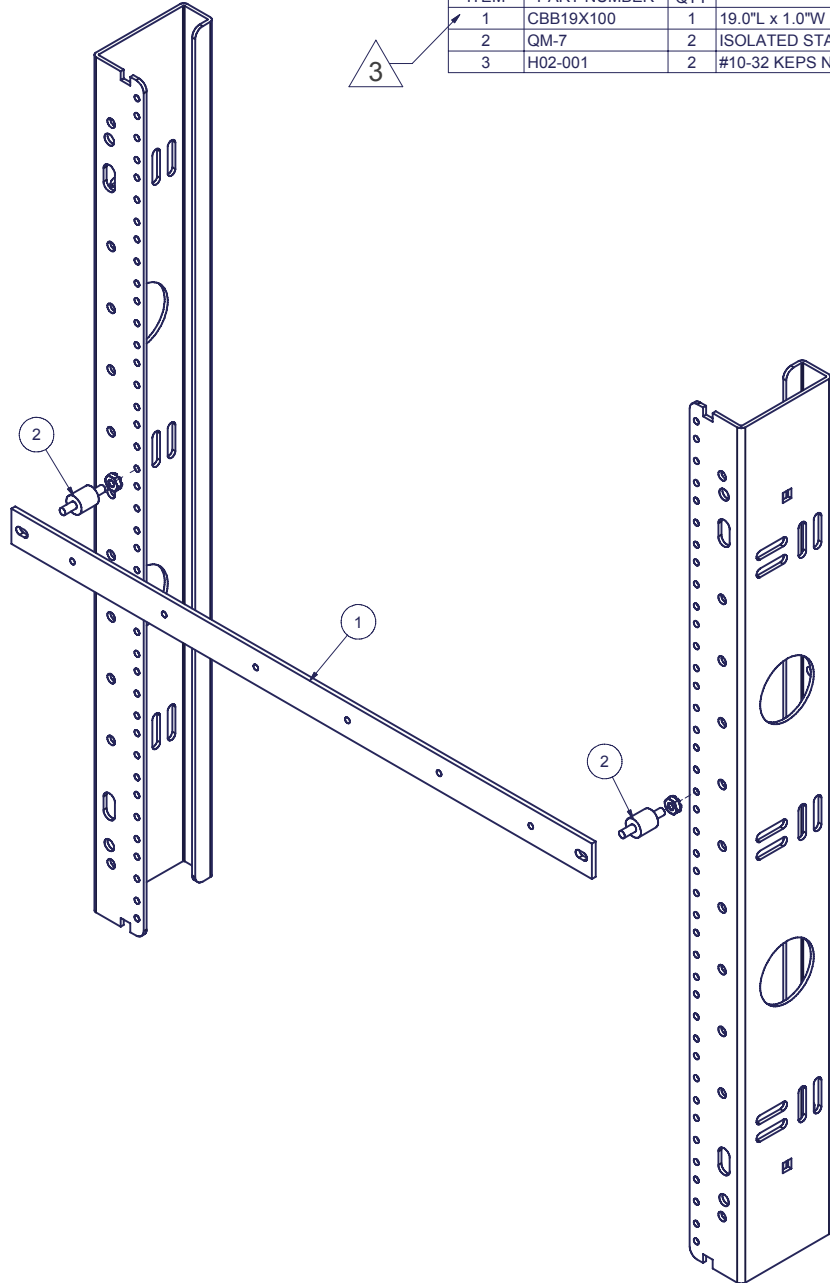


REVISION HISTORY			
REV	DESCRIPTION	DATE	APPROVED
2	ECO-01636	9/13/2005	JL
3	ECO-02431	11/14/08	CD

Bill of Material					
ITEM	PART NUMBER	QTY	DESCRIPTION	FILE NAME	REV
1	CBB19X100	1	19.0"L x 1.0"W COPPER BUS BAR, TAPPED #10-32 - DETAIL	I003461.ipt	6
2	QM-7	2	ISOLATED STANDOFF - RICHCO QUIET MOUNT	QM7.ipt	-
3	H02-001	2	#10-32 KEPS NUT, ZINC RoHS	10-32NUT.iam	-



3005E1X100 RAILS ARE SHOWN FOR REFERENCE

INTERPRET DRAWING PER ASME Y14.5M-1994  
 DIMENSIONAL LIMITS APPLY  
 AFTER APPLICATION OF FINISH  
 DRAWING NOT TO SCALE  
 TOLERANCE UNLESS OTHERWISE NOTED:  
 ANGULAR +/- 1-  
 .XXXX +/- .010  
 .XXX +/- .015  
 .XX +/- .030  
 X FOR REF. ONLY

**NOTICE:**  
 Use of this document is subject to a confidentiality and nondisclosure agreement with Great Lakes Case & Cabinet Co., Inc. (GLCC) and may not be reproduced, disclosed or utilized in whole or in part without prior written authorization from GLCC.

PART NUMBER:  
**CBB19**  
 QTY PER UNIT: 1  
 MATERIAL TYPE: -  
 MATERIAL GAUGE: -  
 FINISH: -  
 DRAWN DATE: Jaye 9/9/2005  
 CHECKED & APP. DATE: WSS 9-13-05

TITLE  
**19.0"L x 1.0"W COPPER BUS BAR, TAPPED #10-32 - ASSEMBLY**  
**GREAT LAKES CASE & CABINET CO., INC.**  
 P.O. BOX 551 EDINBORO, PA 16412  
 PHONE (814) 734-7303 FAX (814) 734-3907  
 E-MAIL glcc@greatcabinets.com

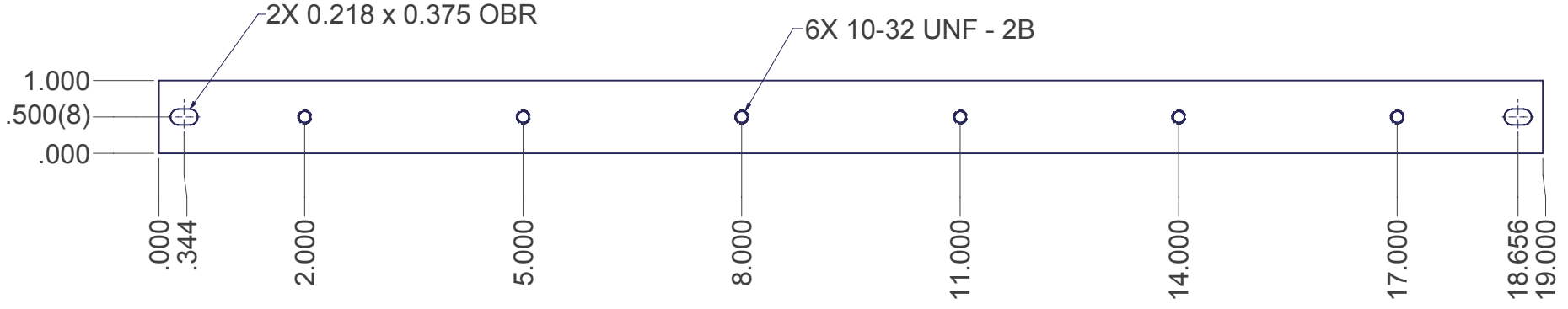


THIRD ANGLE PROJECTION  
 UNLESS OTHERWISE SPECIFIED ALL DIMENSIONS ARE IN INCHES

DWG NO: **I003460** REV: **3** SHEET: 1 OF 1

REVISION HISTORY			
REV	DESCRIPTION	DATE	APPROVED
5	ECO-01636	9/22/2005	JL
6	ECO-02431	11/14/08	CD

MATERIAL THICKNESS = 0.125



**6** SPECIAL NOTES:  
1) MATERIAL - C1100 / ASTM B187

INTERPRET DRAWING PER ASME Y14.5M-1994  
 DIMENSIONAL LIMITS APPLY  
 AFTER APPLICATION OF FINISH  
 DRAWING NOT TO SCALE  
 TOLERANCE UNLESS OTHERWISE NOTED:  
 ANGULAR +/- 1-  
 .XXXX +/- .010  
 .XXX +/- .015  
 .XX +/- .030  
 X FOR REF. ONLY

**NOTICE:**  
 Use of this document is subject to a confidentiality and nondisclosure agreement with Great Lakes Case & Cabinet Co., Inc. (GLCC) and may not be reproduced, disclosed or utilized in whole or in part without prior written authorization from GLCC.

PART NUMBER:  
**CBB19**  
 QTY PER UNIT: 1  
 MATERIAL TYPE:  
 SEE NOTES  
 MATERIAL GAUGE:  
 .125 THICK  
 FINISH:  
 -  
 DRAWN DATE  
 Jaye 9/9/2005  
 CHECKED & APP. DATE  
 WSS 9-22-05

TITLE  
**19.0"L x 1.0"W COPPER BUS BAR, TAPPED #10-32 - DETAIL**  
 GREAT LAKES CASE & CABINET CO., INC.  
 P.O. BOX 551 EDINBORO, PA 16412  
 PHONE (814) 734-7303 FAX (814) 734-3907  
 E-MAIL glcc@greatcabinets.com



THIRD ANGLE PROJECTION  
 UNLESS OTHERWISE SPECIFIED  
 ALL DIMENSIONS ARE IN INCHES

DWG NO: **1003461**  
 REV: **6**  
 SHEET: 1 OF 1