

**Thank you
 for your
 business!**

*we pack
 your
 world!*

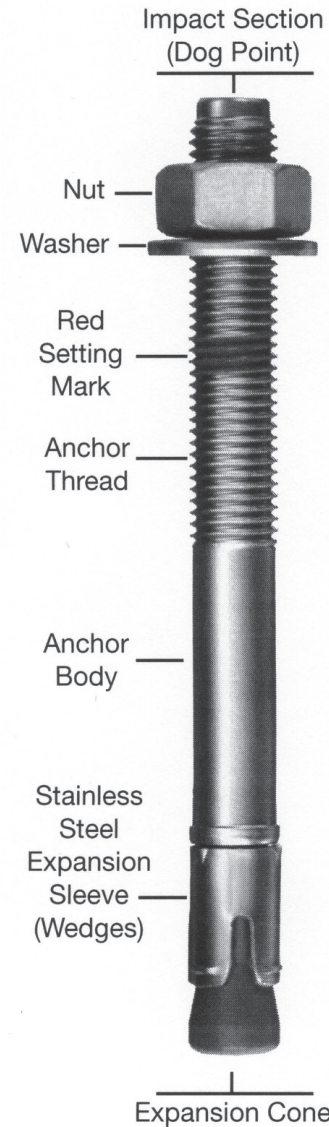


ISO 9001 : 2008 Registered

ETSI Associate Member

Customer agrees to use product at own risk and hereby agrees to indemnify Great Lakes for any cost including attorney's fees, incurred by Great Lakes as a result, in whole or in part, of any violation by customer of any Federal, State or Local statute or regulation, or of any nationally accepted standard. It shall be Customer's sole responsibility to comply with all applicable laws and regulations regarding the handling, use transportation or disposal of products upon taking possession of same.

Seismic Anchor Kit



**Anchor Installation Instructions
 (Part # AKI01)**

Description

- Especially suited for seismic and cracked concrete (tension zone) applications
- Seismic qualifications tested in accordance with ACI 355.2 and ICC-ES AC 193
- Small minimum edge distance and spacing for maximum design flexibility
- Suitable for concrete over metal deck applications
- Rounded end for easy installation
- Meets ductility requirements of 318 D.3.3

Technical Data - Base Material

- Cracked and uncracked concrete
- Lightweight concrete
- Light to medium weight concrete over metal deck Anchor material
- Carbon steel, electroplated zinc min 5 microns Listings/Approvals
- ICC-ES (International Code Council) ESR-1917
- FM (Factory Mutual)
- UL (Underwriters Laboratories)
- Qualified under an NQA-1 nuclear quality program

International Building Codes

2003 IBC Compliant Anchor or 2006 IBC Compliant Anchor

Anchor Specs

Hole diameter: 5/8" • Anchor length: 6" • Thread length: 2-3/4"
Embedded depth: 4-1/2" 8 Thread size: 5/8"

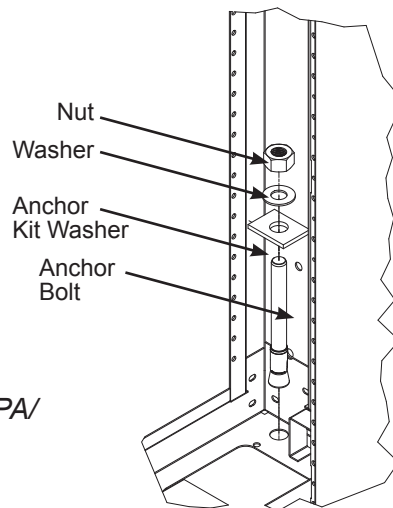
Tool Requirements

Drill and a 5/8" drill bit

OPA Approved

The Office of Statewide Health Planning and Development (OSHPD) has tested Great Lakes most popular products and have assigned pre-approval numbers to the products. ES and E Series enclosures, seismic enclosures, and 2 and 4 post racks have OPA numbers; the seismic anchor kit **MUST** be used for these products to be OPA approved. For complete OPA documents, visit <http://werackyourworld.com/resources/OPA/>

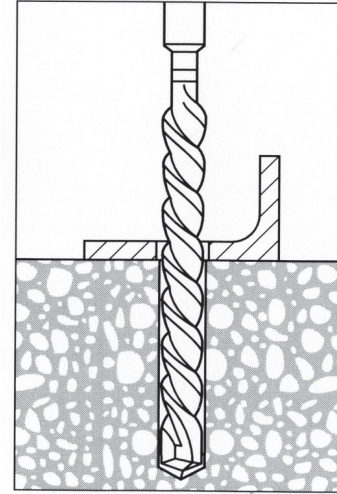
The seismic anchor kit can also be used with any Great Lakes enclosure or rack for increased stability.



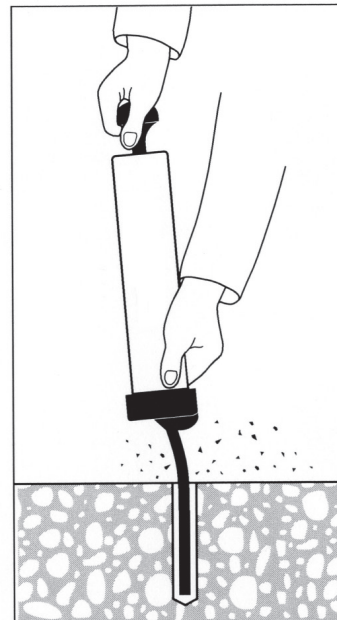
Detail exploded installation view (some frame parts removed for clarity) E and ES Series Enclosures

Installation Instructions

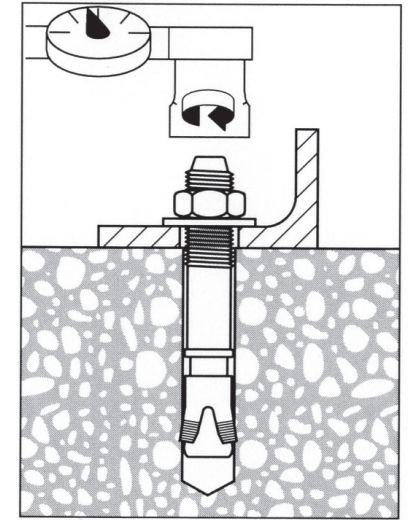
1. Hammer drill a hole to the same nominal diameter as the AK101 bolt (5/8). The hole depth must exceed the anchor embedment by at least 1/4 inch. The fixture may be used as a drilling template to ensure proper anchor location.



2. Clean hole.



3. Drive the AK101 anchor into the hole using a hammer. The anchor must be driven until at least 4 threads are below the surface of the fixture.



4. Tighten the nut to the recommended installation torque. 60 ft-lb. (81 Nm)

