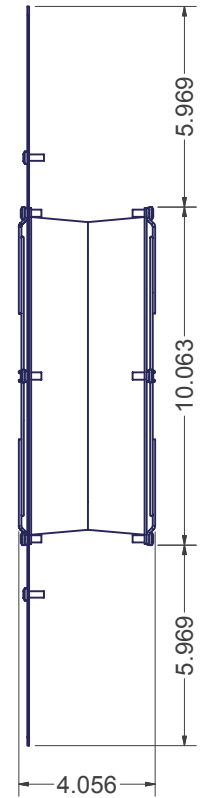
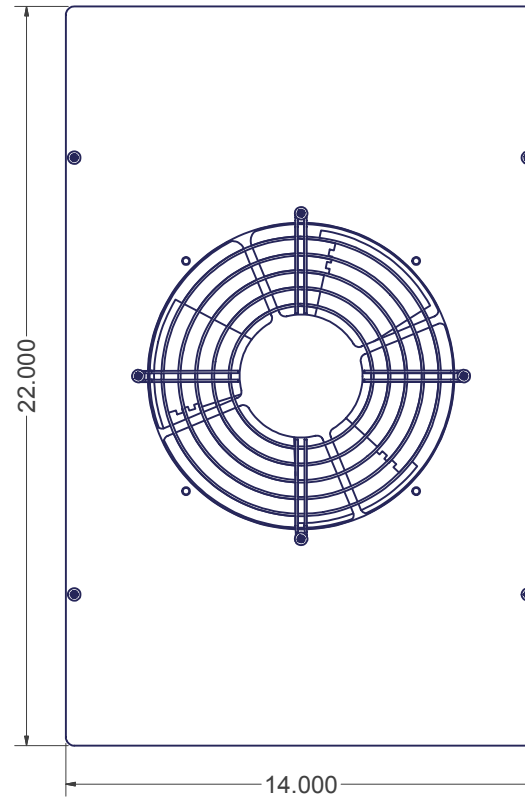
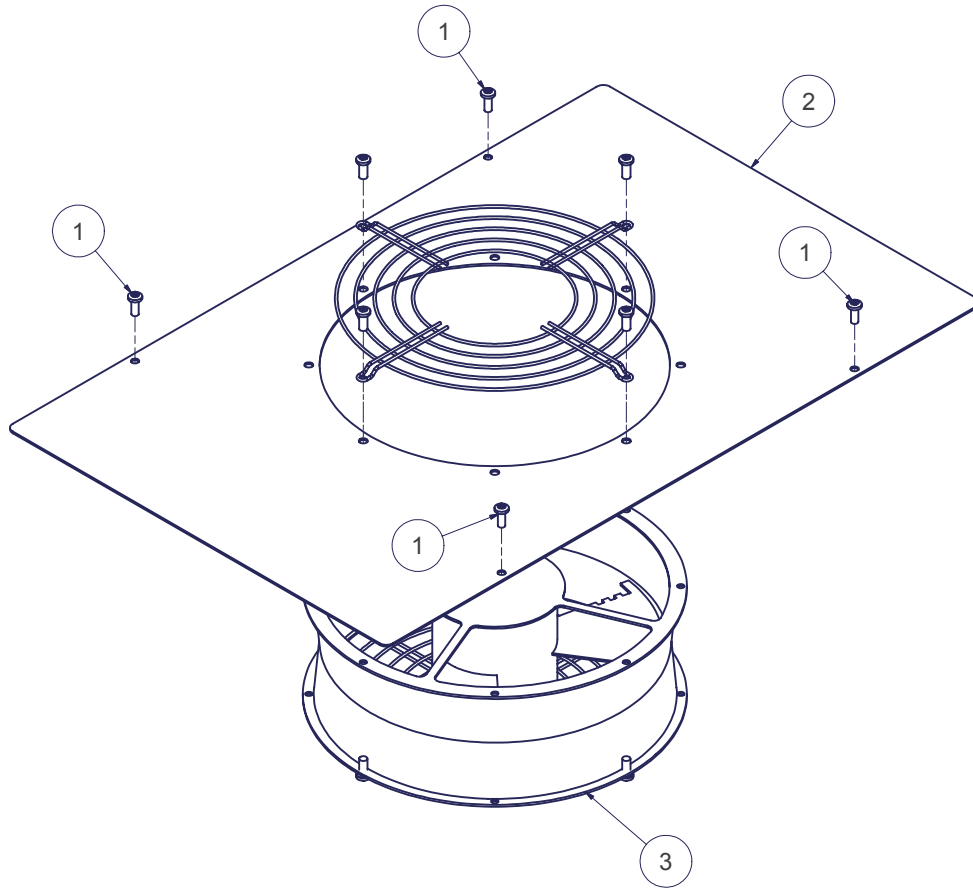


REVISION HISTORY			
REV	DESCRIPTION	DATE	APPROVED
0	ECO-02006	7/27/2007	JL

Bill of Material					
ITEM	PART NUMBER	QTY	DESCRIPTION	FILE NAME	REV
1	SCR1032X1/2BLK	4	#10-32 x 1/2"L PAN HEAD PHIL TYPE 23 , BLACK	SCR1032X500BLK.ipt	-
2	TPES-F10X100	1	TOP PANEL FOR ES FRAMES, 10" DIA. FAN CUTOUT	I005841.ipt	0
3	721710	1	10" FAN KIT ORION OA254AP-11-1TB, ROTRON 040458, CORD, 2 GUARDS	721710.iam	



INTERPRET DRAWING PER ASME Y14.5M-1994 DIMENSIONAL LIMITS APPLY AFTER APPLICATION OF FINISH DRAWING NOT TO SCALE TOLERANCE UNLESS OTHERWISE NOTED: ANGULAR +/- 1° .XXXX +/- .010 .XXX +/- .015 .XX +/- .030 .X FOR REF. ONLY	UNLESS OTHERWISE SPECIFIED ALL DIMENSIONS ARE IN INCHES
---	--

NOTICE:
 Use of this document is subject to a confidentiality and nondisclosure agreement with Great Lakes Case & Cabinet Co., Inc. (GLCC) and may not be reproduced, disclosed or utilized in whole or in part without prior written authorization from GLCC.

PART NUMBER: TPES-F10	
QTY PER UNIT:	1
MATERIAL TYPE:	-
MATERIAL GAUGE:	#16 GA
FINISH:	-
DRAWN	DATE
JL	7/26/2007
CHECKED & APP.	DATE
WSS	7-27-07

TITLE TOP PANEL FOR ES FRAMES WITH 10" DIA. FAN ASSEMBLY	
GREAT LAKES CASE & CABINET CO., INC. P.O. BOX 551 EDINBORO, PA 16412 PHONE (814) 734-7303 FAX (814) 734-3907 E-MAIL glcc@greatcabinets.com	
DWG NO:	REV
I005840	0
SHEET: 1 OF 1	

