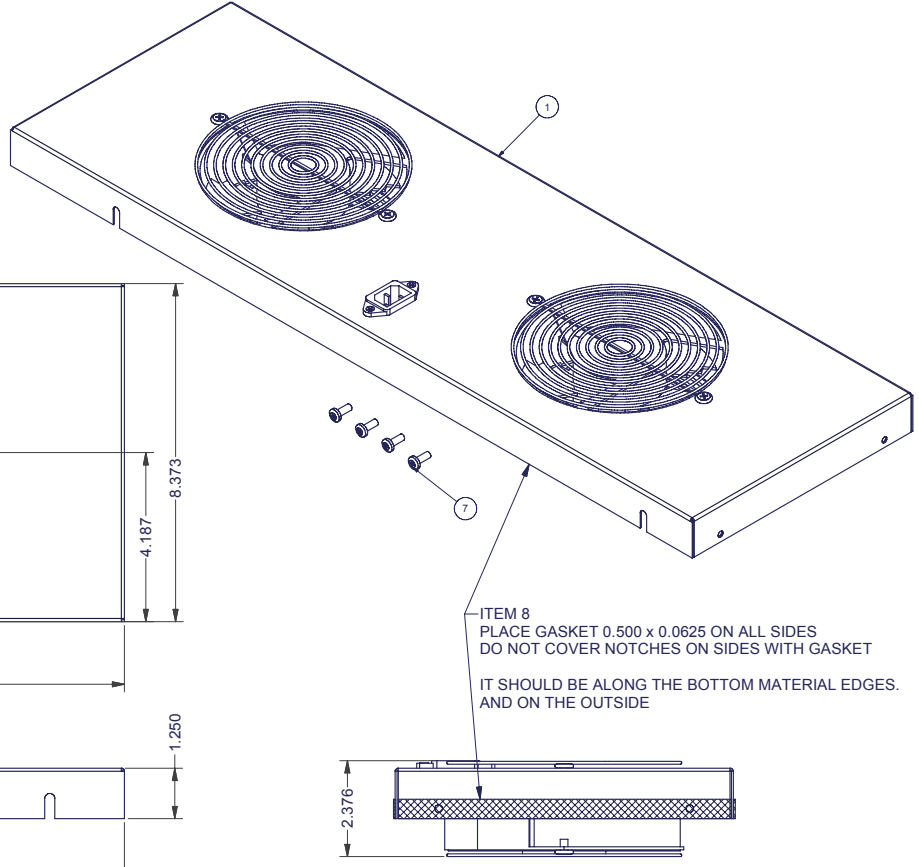
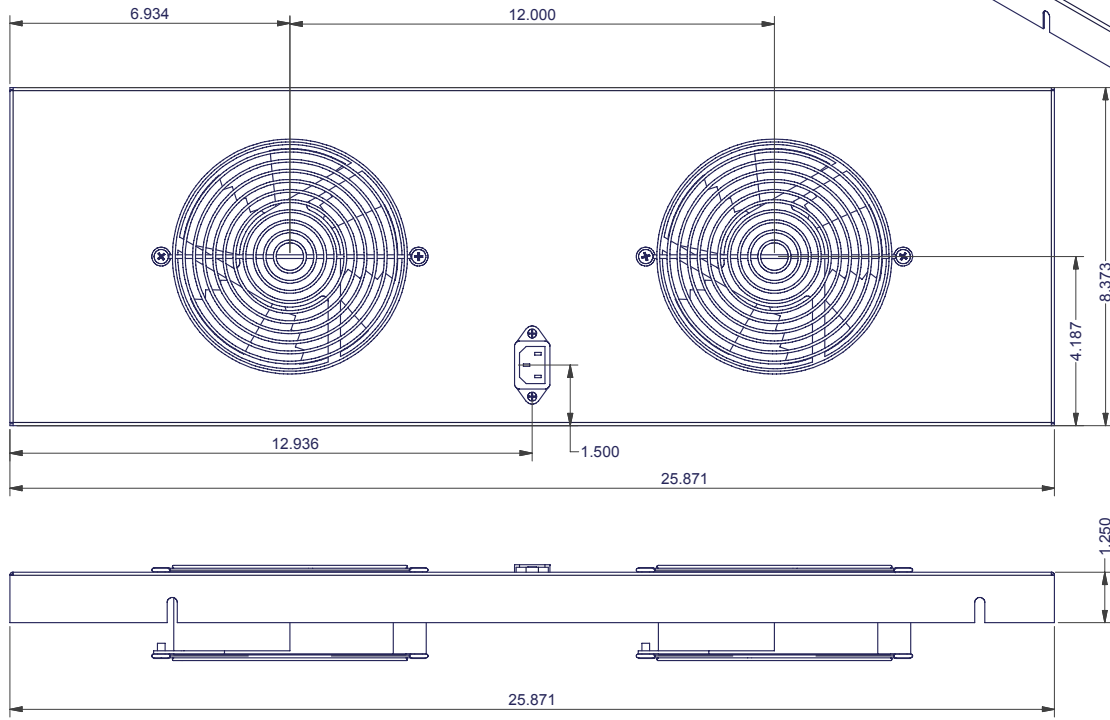


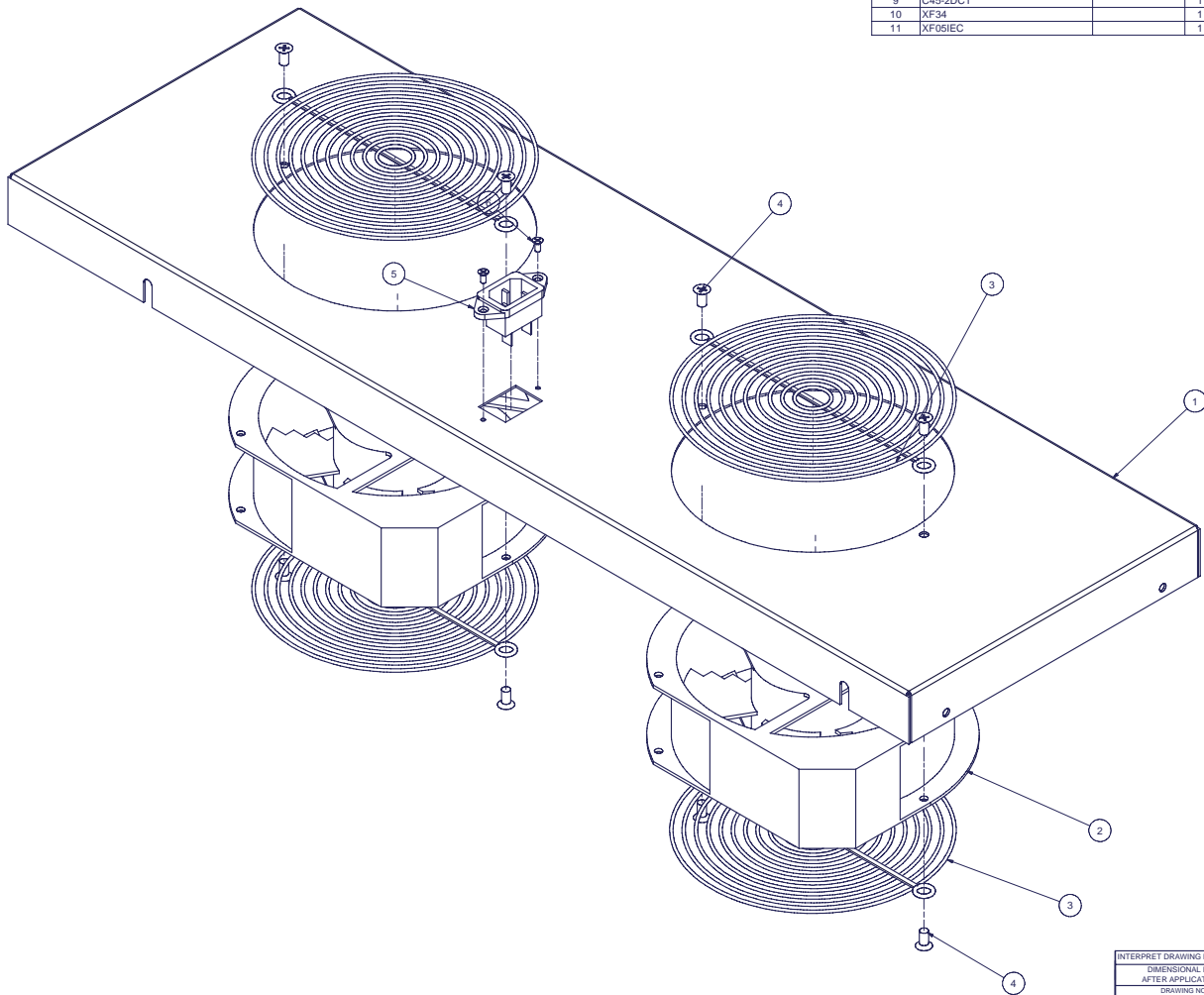
| REVISION HISTORY | | | |
|------------------|-------------|-----------|----------|
| REV | DESCRIPTION | DATE | APPROVED |
| 0 | ECC-02386 | 9/20/2008 | WSS |

| Bill of Material | | | | | | |
|------------------|-----------------------|--------------|------|--|-------------------|----------|
| ITEM | PART NUMBER | STOCK NUMBER | QTY | DESCRIPTION | FILE NAME | REVISION |
| 1 | ADFTES2442X100 | | 1 | AIR DEVERTER FAN TRAY FOR 24"W x 42"D ES BOTTOM PANEL | I007466.ipt | 0 |
| 2 | OA172SAP-11-1 | | 2 | ORION 300 CFM FAN, 110V - KNIGHT ELECTRONICS | OA172SAP-11-1.ipt | |
| 3 | G172-10HA | | 4 | FINGER GUARD, T72 SERIES FANS, BLACK | G172-10HA.ipt | |
| 4 | H01-069 | H01-069 | 8 | SCREW, 10-32x3/8" PH FLAT TYPE 23 BLACK OXIDE/WAX RoHS (SCR1032X375FHLK23) | H01-069.ipt | |
| 5 | 07071CW | | 1 | IEC CONNECTOR - ARCO | 07071CW.ipt | |
| 6 | 0404RPF | | 2 | #4-40 x 1/4" TAPTITE PHIL FLAT HD ZN. PL. SCREW | 0404RPF.ipt | |
| 7 | H01-078 | H01-078 | 4 | SCREW, 10-32x1/2" PH PAN TYPE 23 BLACK OXIDE/WAX RoHS (SCR1032X500BLK) | H01-078.ipt | |
| 8 | GASKET 0.500 x 0.0625 | | 5.5' | 1/16" x 1/2" NEOPRENE GASKET WITH PSA | | |
| 9 | C45-2DCT | | 1 | POWER HARNESS - FOR 2 FANS KNIGHT ELECTRIC | | |
| 10 | XF34 | | 1 | GROUNDING HARNESS - 2 FAN ASSEMBLY | | |
| 11 | XF05IEC | | 1 | POWER CORD, 6 FEET LONG, IEC CONNECTOR. | | |



| | | | | | | | |
|---|--|---|--|--|--|---|--|
| INTERPRET DRAWING PER ASME Y14.5M-1994 DIMENSIONAL LIMITS APPLY AFTER APPLICATION OF FINISH DRAWING NOT TO SCALE TOLERANCE UNLESS OTHERWISE NOTED: ANGULAR +/- 1- .XXX +/- .010 .XXX +/- .015 .XX +/- .030 X FOR REF. ONLY | | NOTICE: Use of this document is subject to a confidentiality and nondisclosure agreement with Great Lakes Case & Cabinet Co., Inc. (GLCC) and may not be reproduced, disclosed or utilized in whole or in part without prior written authorization from GLCC. | | PART NUMBER: ADFTES2442 QTY PER UNIT: 1 MATERIAL TYPE: MATERIAL GAUGE: FINISH: | | TITLE: AIR DEVERTER FAN TRAY FOR 24"W x 42"D ES BOTTOM PANEL TOP LEVEL GREAT LAKES CASE & CABINET CO., INC. P.O. BOX 551 EDINBORO, PA 16412 PHONE: (814) 734-7303 FAX: (814) 734-3907 E-MAIL: glcc@greatlakescabinets.com | |
| THIRD ANGLE PROJECTION UNLESS OTHERWISE SPECIFIED ALL DIMENSIONS ARE IN INCHES | | DRAWN: CD DATE: 9/20/2008 CHECKED & APP: WSS DATE: 9/20/08 | | DWG NO: I007467 | | REV: 0 SHEET: 1 OF 2 | |

| Bill of Material | | | | | | |
|------------------|-----------------------|--------------|-----|---|-------------------|----------|
| ITEM | PART NUMBER | STOCK NUMBER | QTY | DESCRIPTION | FILE NAME | REVISION |
| 1 | ADFTES2442X100 | | 1 | AIR DEVERTER FAN TRAY FOR 24"W x 42"D ES BOTTOM PANEL | I007466.ipt | 0 |
| 2 | OA172SAP-11-1 | | 2 | ORION 300 CFM FAN, 110V - KNIGHT ELECTRONICS | OA172SAP-11-1.ipt | |
| 3 | G172-10HA | | 4 | FINGER GUARD, 172 SERIES FANS, BLACK | G172-10HA.ipt | |
| 4 | H01-069 | H01-069 | 8 | SCREW, 10-32x3/8" PH FLAT TYPE 23 BLACK OXIDE/WAX ROHS (SCR1032X375FHBLK23) | H01-069.ipt | |
| 5 | 07071CW | | 1 | IEC CONNECTOR - ARCO | 07071CW.ipt | |
| 6 | 0404RPF | | 2 | #4-40 x 1/4" TAPTITE PHIL FLAT HD ZN, PL, SCREW | 0404RPF.ipt | |
| 7 | H01-078 | H01-078 | 4 | SCREW, 10-32x1/2" PH PAN TYPE 23 BLACK OXIDE/WAX ROHS (SCR1032X500BLK) | H01-078.ipt | |
| 8 | GASKET 0.500 x 0.0625 | | 5.5 | 1/16" x 1/2" NEOPRENE GASKET WITH PSA | | |
| 9 | C45-2DCT | | 1 | POWER HARNESS - FOR 2 FANS KNIGHT ELECTRIC | | |
| 10 | XF34 | | 1 | GROUNDING HARNESS - 2 FAN ASSEMBLY | | |
| 11 | XF05IEC | | 1 | POWER CORD, 6 FEET LONG, IEC CONNECTOR. | | |



INTERPRET DRAWING PER ASME Y14.5M-1994
 DIMENSIONAL LIMITS APPLY
 AFTER APPLICATION OF FINISH
 DRAWING NOT TO SCALE
 TOLERANCE UNLESS OTHERWISE NOTED:
 ANGULAR +/- 1'
 .XXX +/- .010
 .XXX +/- .015
 .XX +/- .030
 X FOR REF. ONLY
 UNLESS OTHERWISE SPECIFIED
 ALL DIMENSIONS ARE IN INCHES

NOTICE:
 Use of this document is subject to a confidentiality and nondisclosure agreement with Great Lakes Case & Cabinet Co., Inc. (GLCC) and may not be reproduced, disclosed or utilized in whole or in part without prior written authorization from GLCC.

| | |
|---------------------------------------|--|
| PART NUMBER: ADFTES2442X200 | TITLE: AIR DEVERTER FAN TRAY FOR 24"W x 42"D ES BOTTOM PANEL TOP LEVEL |
| QTY PER UNIT: 1 | MATERIAL TYPE: - |
| MATERIAL GAUGE: - | FINISH: - |
| DRAWN CD | DATE 9/20/08 |
| CHECKED & APP. WSS | DATE 9/20/08 |
| DWG NO. I007467 | REV 0 |
| SHEET: 2 OF 2 | |

