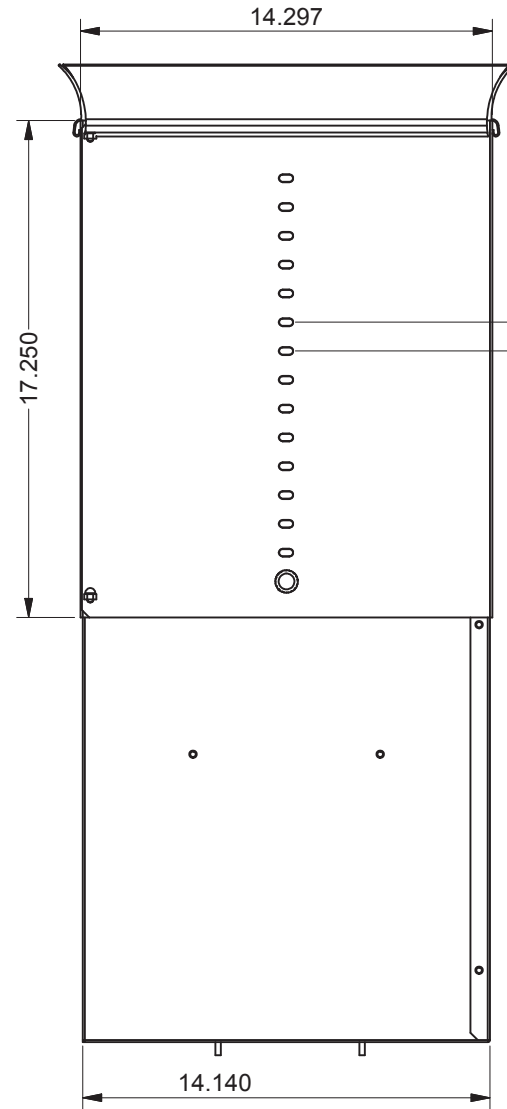
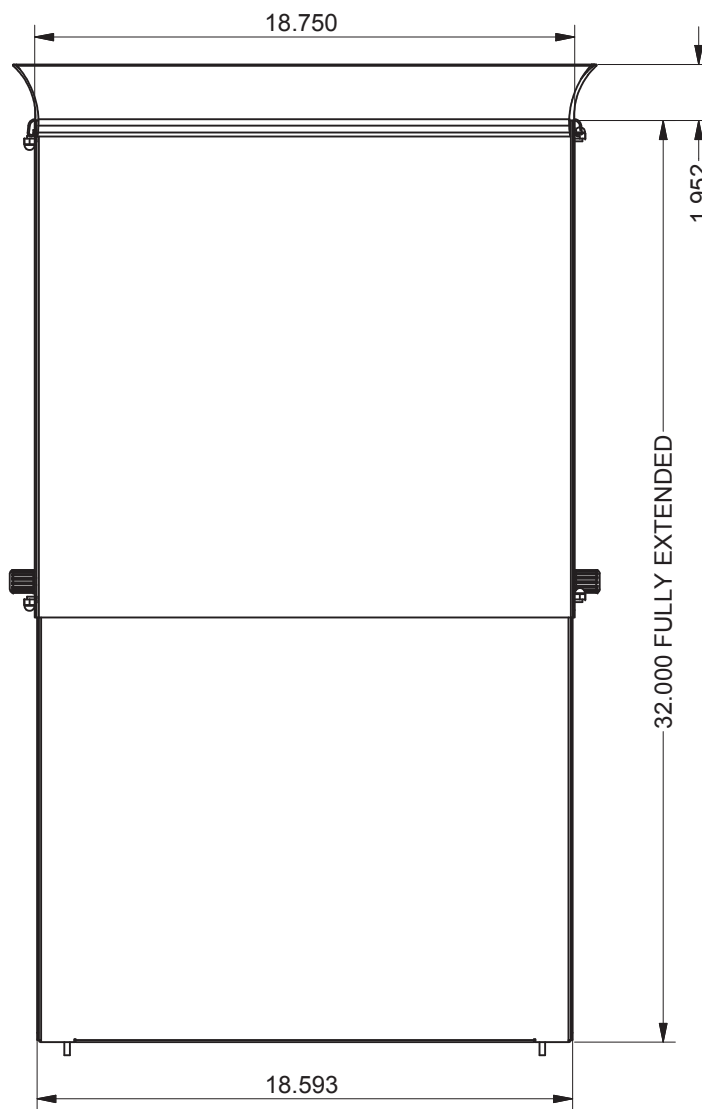
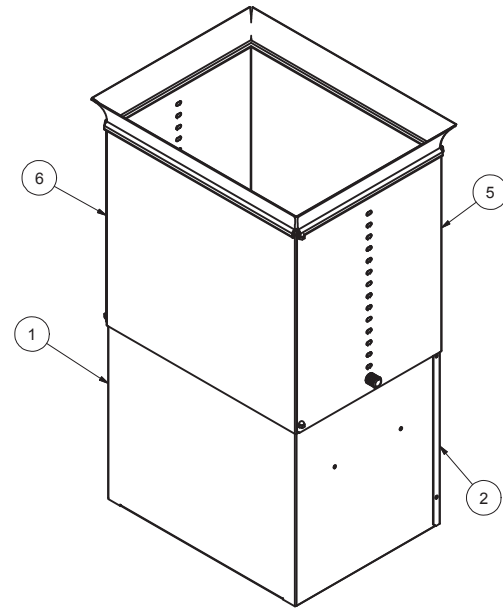
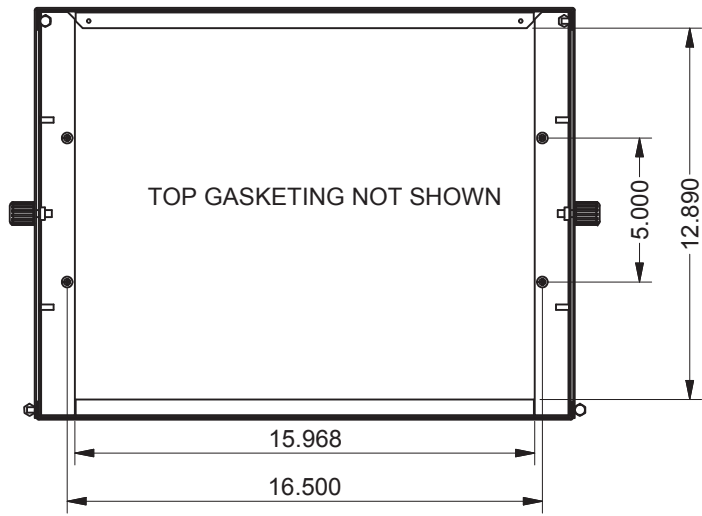
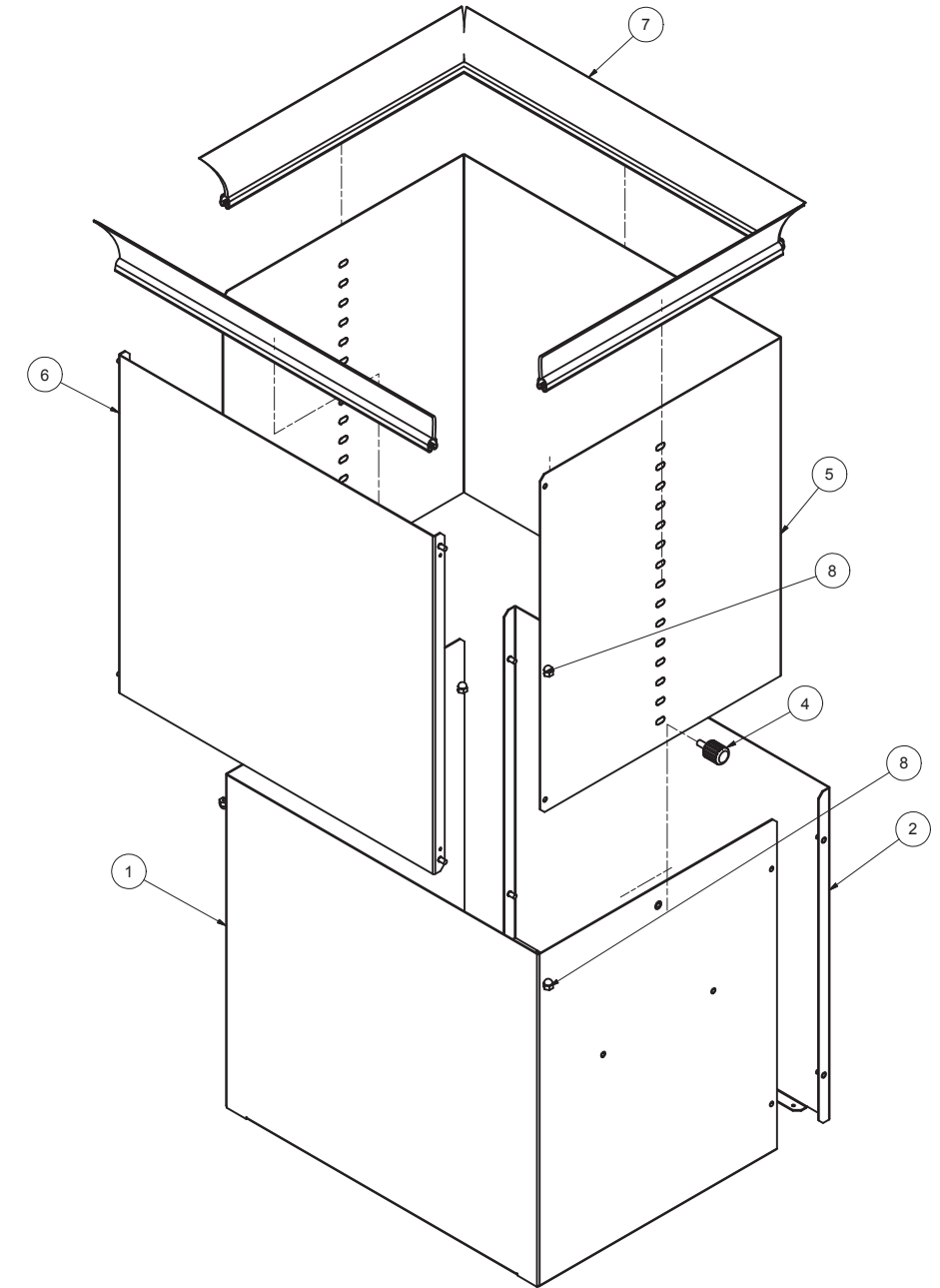
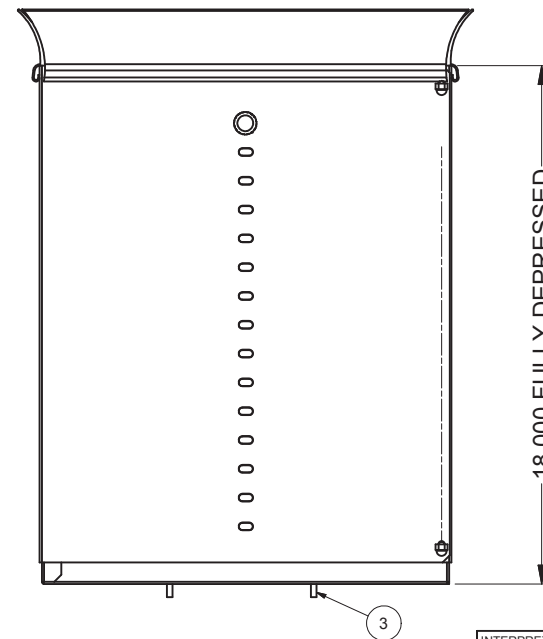


REVISION HISTORY			
REV	DESCRIPTION	DATE	APPROVED
0	ECO-02491	6/14/09	CD

Bill of Material						
ITEM	PART NUMBER	STOCK NUMBER	QTY	DESCRIPTION	FILE NAME	REVISION
1			1	48"D ES STYLE EXHAUST CHIMNEY BOTTOM BODY, 18"H - 32"H - DETAIL	I007928.iam	0
2			1	EXHAUST CHIMNEY BOTTOM COVER, 18"H - 32"H - DETAIL	I007850.iam	1
3	H01-078	H01-078	4	SCREW, 10-32x1/2" PH PAN TYPE 23 BLACK OXIDE/WAX RoHS (SCR1032X500BLK)	H01-078.ipt	-
4	KPK1300A	H19-117	2	ALLIANCE PLASTICS - 1/4-20 .591"L THREAD	KPK1300A.ipt	-
5			1	EXHAUST CHIMNEY ADJUSTABLE TOP BODY FOR 48"D - DETAIL	I007930.ipt	0
6			1	EXHAUST CHIMNEY ADJUSTABLE TOP COVER - DETAIL	I007852.iam	0
7			66.13"	UNI-GRIP FOAM GASKETING #ED-5360-SOFT; 2.5"H	-	-
8	H02-006	H02-006	8	#10-32 ACORN NUT NYLON BLACK (0501032LCNBLK)	H02-006.ipt	-



1.000 TYP
ADJUSTABILITY



INTERPRET DRAWING PER ASME Y14.5M-1994
DIMENSIONAL LIMITS APPLY
AFTER APPLICATION OF FINISH
DRAWING NOT TO SCALE
TOLERANCE UNLESS OTHERWISE NOTED:
ANGULAR +/- .1
.XXXX +/- .010
.XXX +/- .015
.XX +/- .030
.X FOR REF. ONLY

NOTICE:
Use of this document is subject to a confidentiality and nondisclosure agreement with Great Lakes Case & Cabinet Co., Inc. (GLCC) and may not be reproduced, disclosed or utilized in whole or in part without prior written authorization from GLCC.

PART NUMBER: **EC481832**
QTY PER UNIT: 1
MATERIAL TYPE:
MATERIAL GAUGE: **#16 GA**
FINISH: -

TITLE: **EXHAUST CHIMNEY FOR 48"D ES, 18"H - 32"H ADJUSTABLE RANGE - VENDOR LEVEL**
GREAT LAKES CASE & CABINET CO., INC.
P.O. BOX 551 EDINBORO, PA 16412
PHONE (814) 734-7303 FAX (814) 734-3907
E-MAIL glcc@greatcabinets.com



UNLESS OTHERWISE SPECIFIED
ALL DIMENSIONS ARE IN INCHES

DRAWN: CD
CHECKED & APP. WSS
DATE: 1/28/2009
DATE: 2/20/09

DWG NO: **I007927**

REV: **0**
SHEET: 1 OF 1