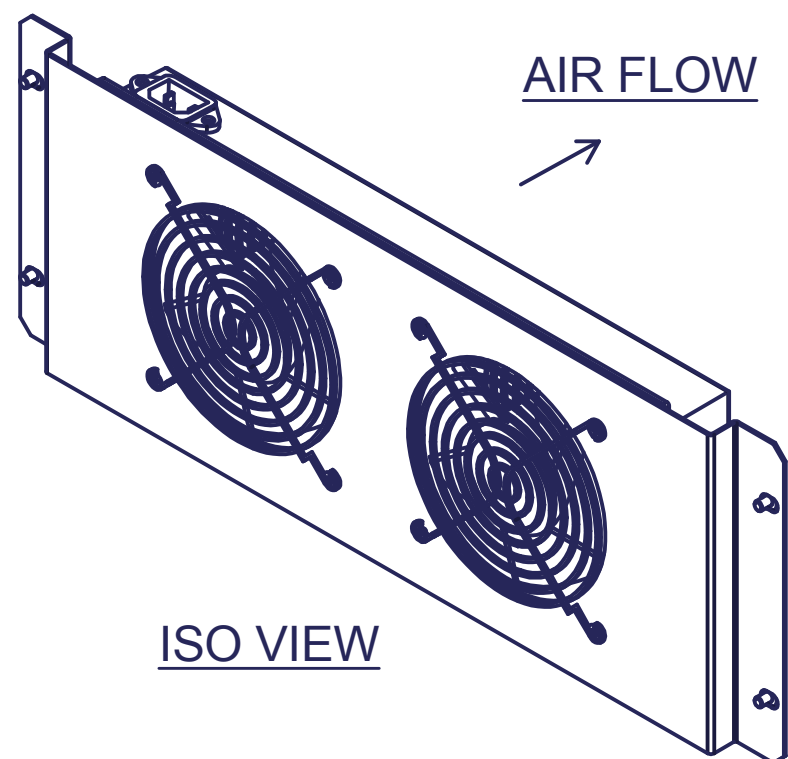


REVISION HISTORY			
REV	DESCRIPTION	DATE	APPROVED
2	ECO-03112	1/24/2011	FED

Bill of Material						
ITEM	PART NUMBER	STOCK NU	QTY	DESCRIPTION	FILE NAME	REV
1	7217WSX200		1	STANDARD 2 - 75cfm FAN TRAY ASSEMBLY	7217WSX200.iam	6
2	SCR1032X1/4BLK23	H01-073	4	#10-32 x 1/4"L PAN HEAD PHIL TYPE 23 SCREW, BLACK	SCR1032X250BLK23.ipt	-
3	XF05IEC		1	FAN CORD, 6' LG., IEC CONN., 5-15P PLUG, (KNIGHT#28231-60-01)	-	-
4	XF02IEC		1	FAN CORD, 2' LG., 90 DEGREE IEC CONN., 5-15P PLUG (KNIGHT#28232-20-01)	-	-
5	2400-SCC		3	SELF CLOSING WIRE CLIP, ADHESIVE MOUNT	-	-
6	GL-LEC		1	LAKE EFFECT COOLING INSTRUCTION SHEET	l002360.pdf	0
7	LBGL7217LE2		1	PART# LABEL : AVERY# 5164, GRAPHIC SUPPLIED BY GLCC.	LBGL7217LE2	0
8	XF02BUL		2	FAN GUARD 4" BLACK ZINC, KNIGHT #G109-15B-1	XF02BUL.ipt	1
9	8-32X500SCMACBL		8	#8-32 x 1/2"LG BLACK FLAT HEAD MACHINE SCREW	8-32x500SCMACBL.ipt	-
10	7217LE2X100		1	24"W MESH CONTOUR DOOR 2 FAN MOUNTING BRACKET DETAIL	l005938.ipt	0

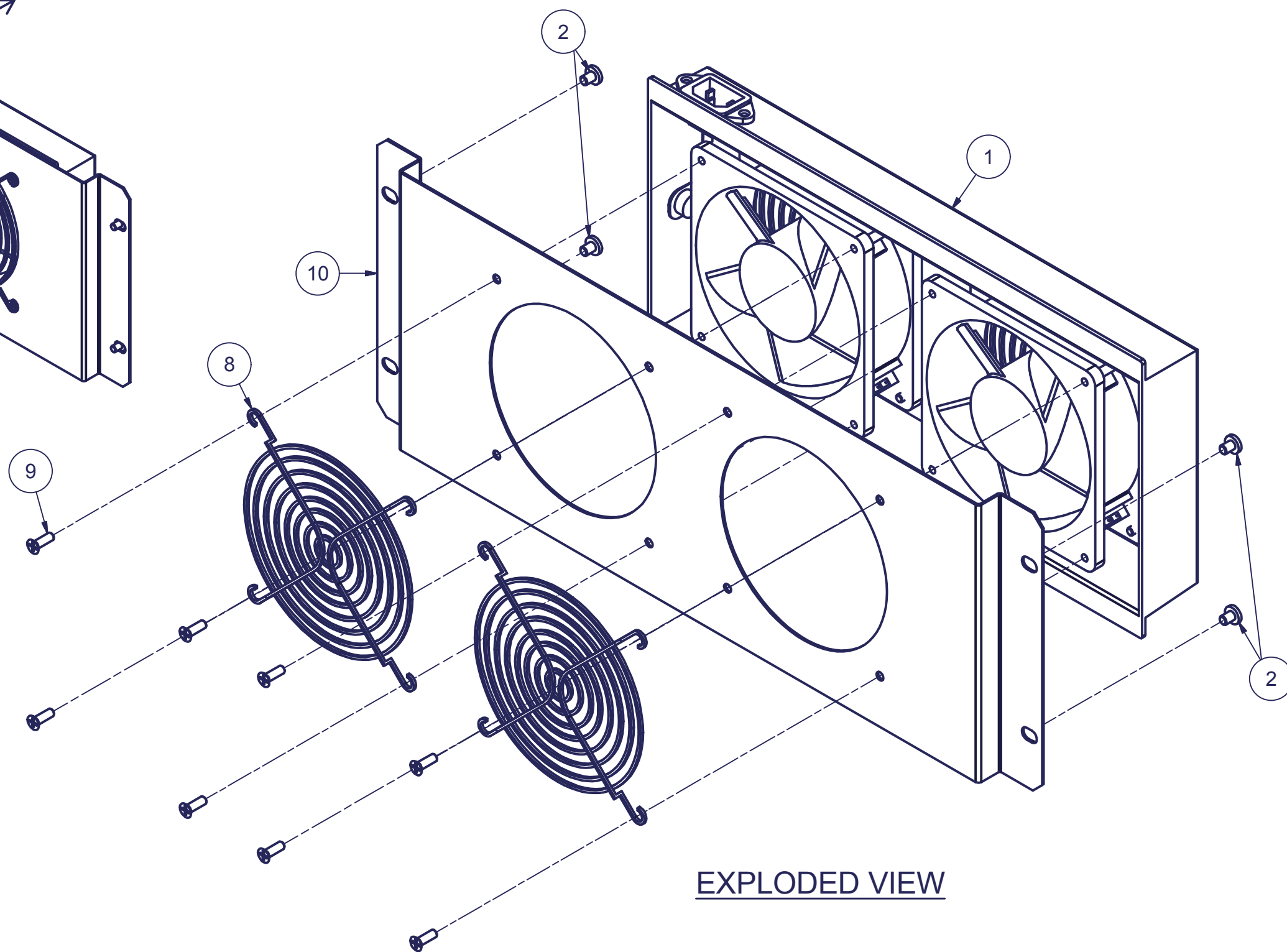
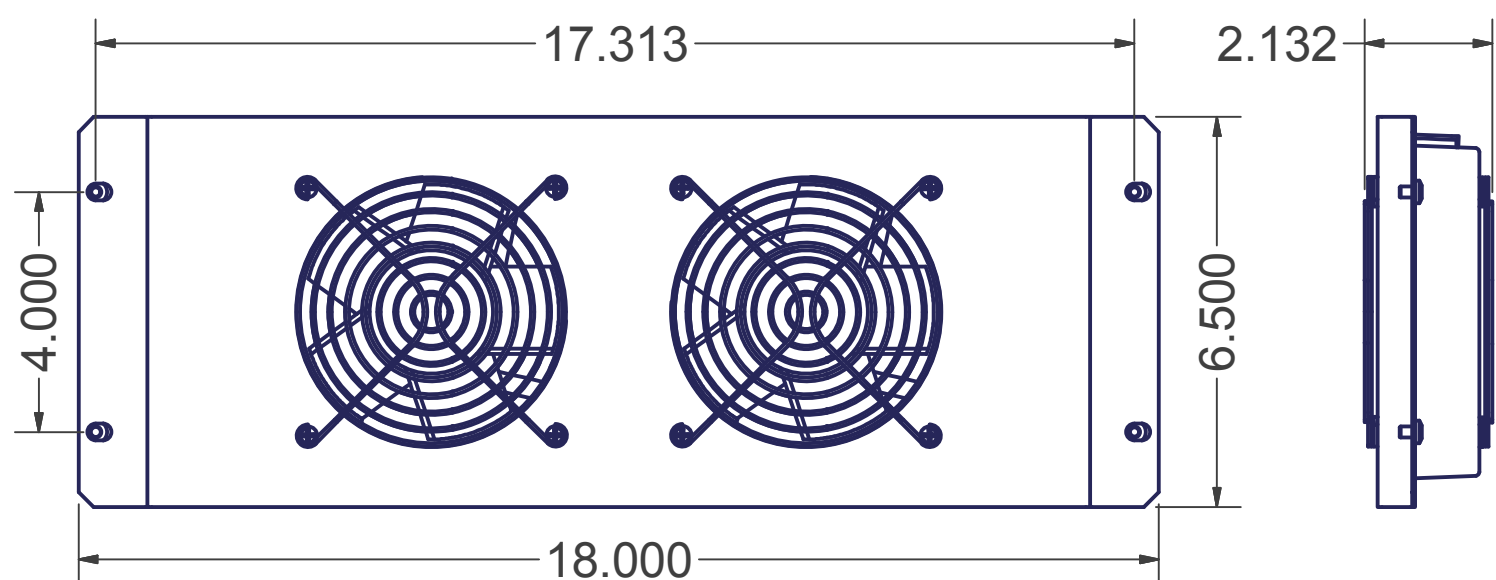
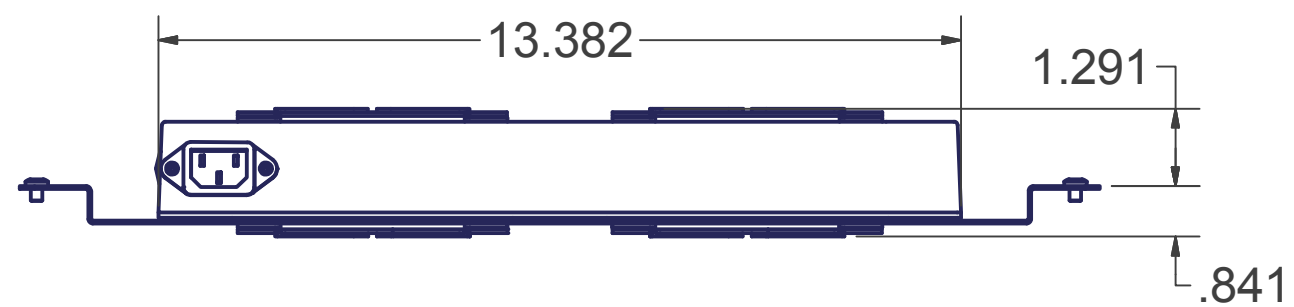
SPECIFICATIONS:

CFM: (75/ FAN) x 2 = 150
 VAC = 115/230
 Hz = 50/60
 WATTS = 16
 LINE AMPS = .14A
 dba = 37 to 40



ISO VIEW

AIR FLOW



EXPLODED VIEW

INTERPRET DRAWING PER ASME Y14.5M-1994
DIMENSIONAL LIMITS APPLY AFTER APPLICATION OF FINISH
DRAWING NOT TO SCALE
TOLERANCE UNLESS OTHERWISE NOTED:
ANGULAR +/- 1'
.XXXX +/- .010
.XXX +/- .015
.XX +/- .030
.X FOR REF. ONLY
UNLESS OTHERWISE SPECIFIED ALL DIMENSIONS ARE IN INCHES

NOTICE:
 Use of this document is subject to a confidentiality and nondisclosure agreement with Great Lakes Case & Cabinet Co., Inc. (GLCC) and may not be reproduced, disclosed or utilized in whole or in part without prior written authorization from GLCC.

PART NUMBER:	7217LE2
QTY PER UNIT:	1
MATERIAL TYPE:	-
MATERIAL GAUGE:	-
FINISH:	POWDER COAT
DRAWN	DATE
WSS	8/24/2004
CHECKED & APP.	DATE
Bill S	1/24/2011

TITLE		FAN KIT w/2 75cfm FANS FOR 24"W MESH CONTOUR DOORS - "LAKE EFFECT COOLING"	
GREAT LAKES CASE & CABINET CO., INC.			
P.O. BOX 551 EDINBORO, PA 16412			
PHONE (814) 734-7303 FAX (814) 734-3907			
E-MAIL glcc@greatcabinets.com			
DWG NO:	7217LE2	REV	2
SHEET: 1 OF 1			



THIRD ANGLE PROJECTION