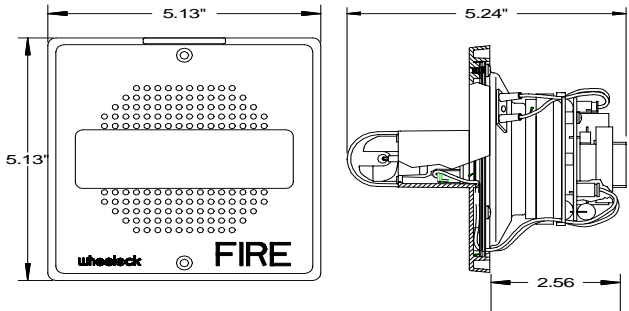
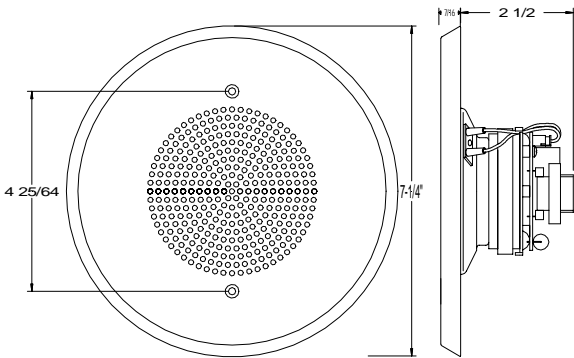


# Product Dimensions

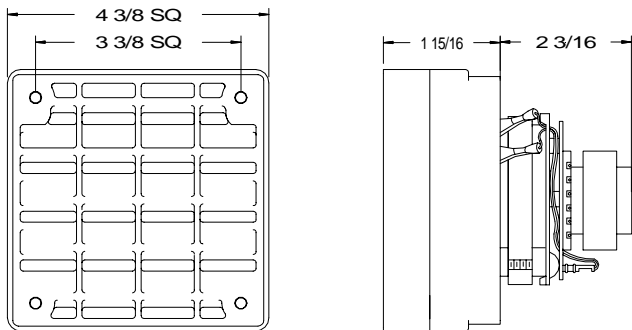
## SERIES E70, ET70, CH70



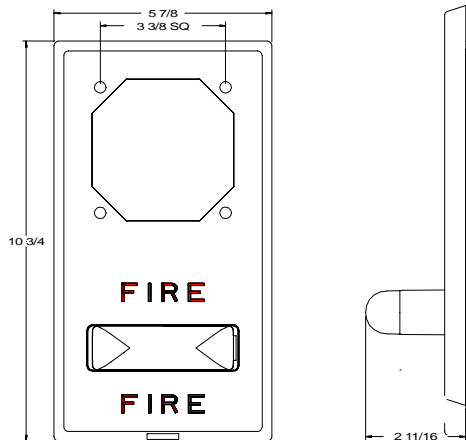
## SERIES ET90, E90, CH90



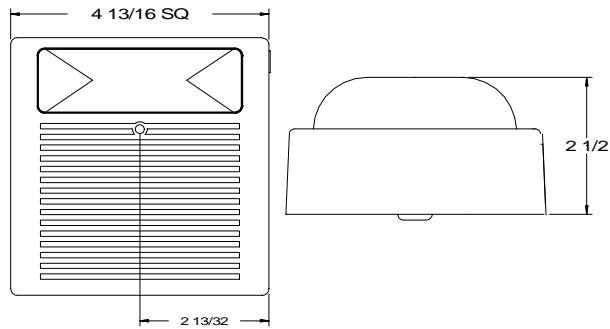
## SERIES ET1010



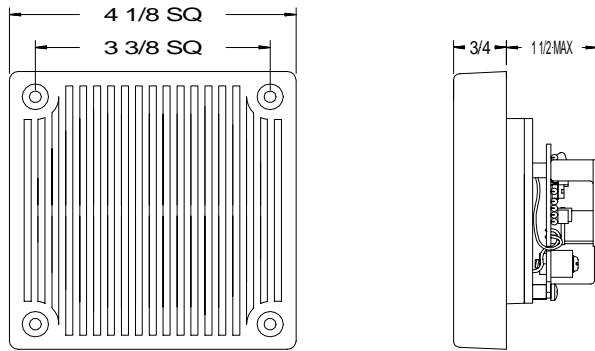
## SERIES RSSP



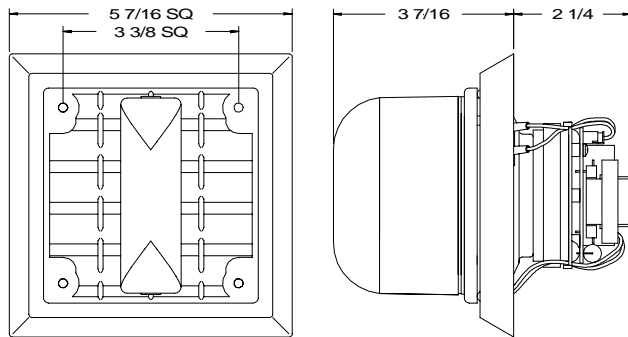
## SERIES AS, ASWP



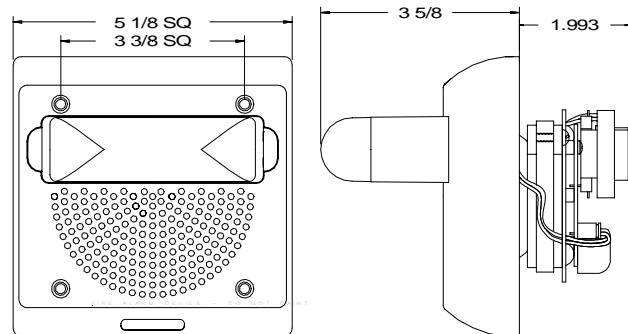
## SERIES AHWP



## SERIES ET1080



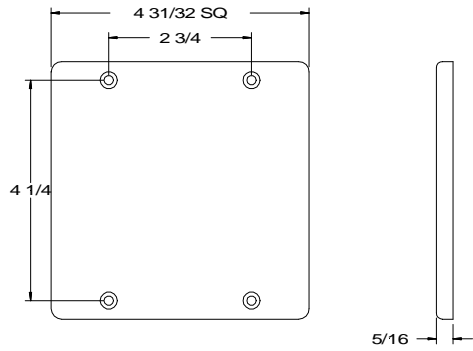
## SERIES ET70WP



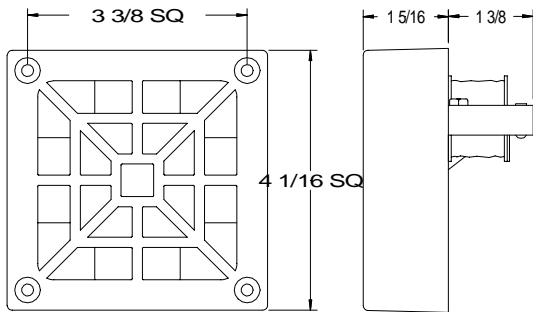
02/05

# Product Dimensions

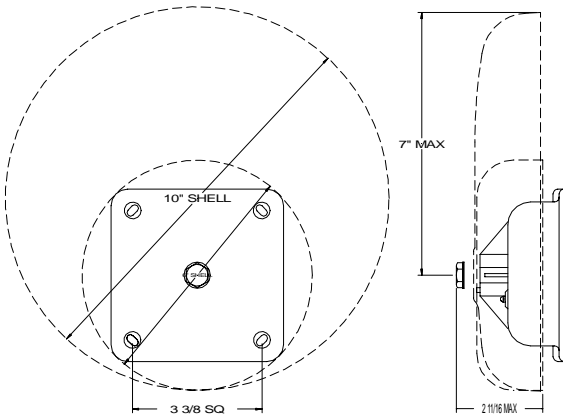
## SERIES SM/DSM



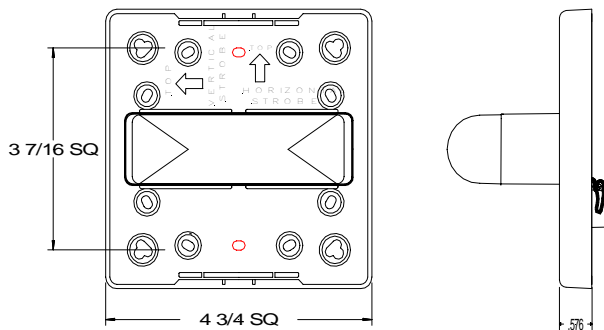
## SERIES 31T



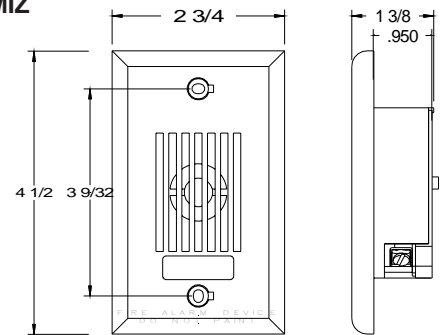
## SERIES MB & 43T BELLS



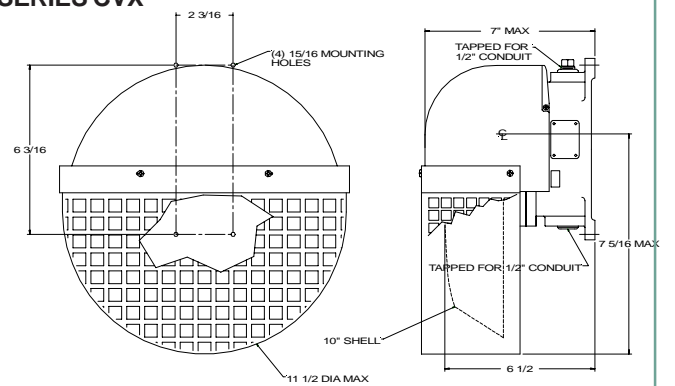
## SERIES RSS



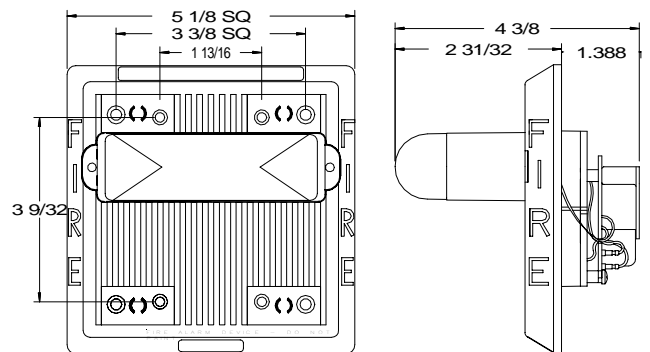
## SERIES MIZ



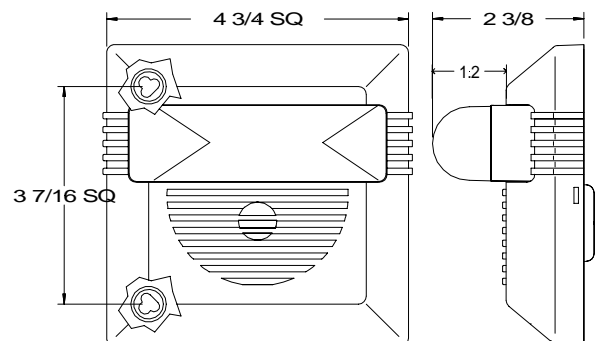
## SERIES CVX



## SERIES AMT, HS4, MT



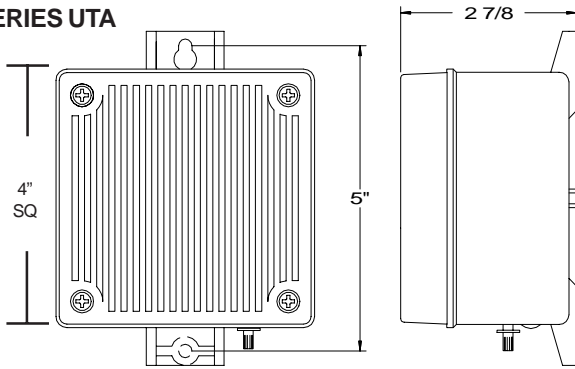
## SERIES NS, NH



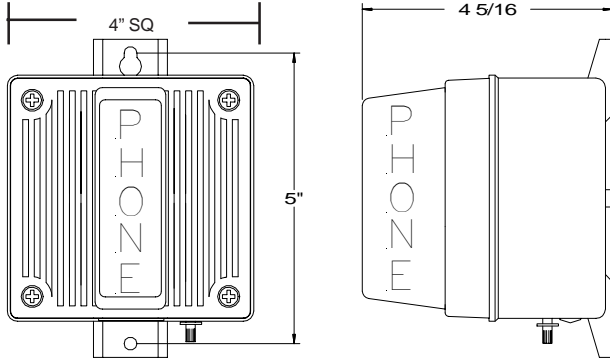
06/05

# Product Dimensions

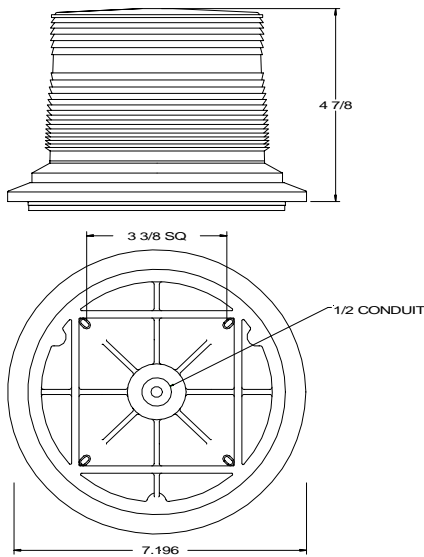
**SERIES UTA**



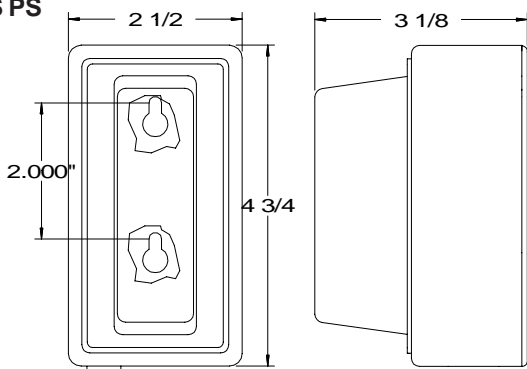
**SERIES UTA w/ Strobe**



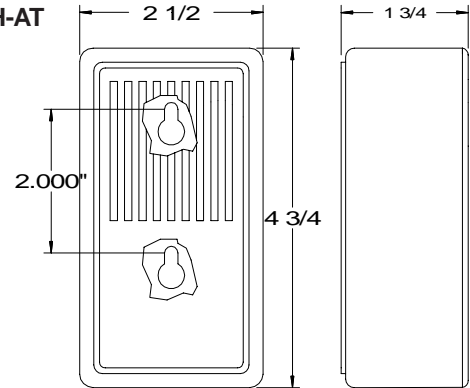
**SERIES MAX**



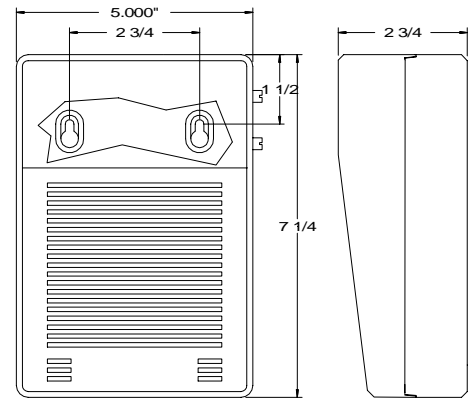
**SERIES PS**



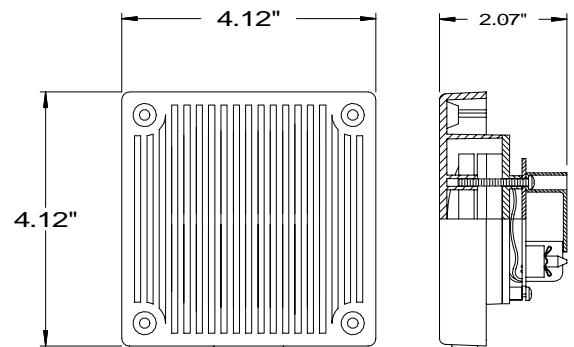
**SERIES CH-AT**



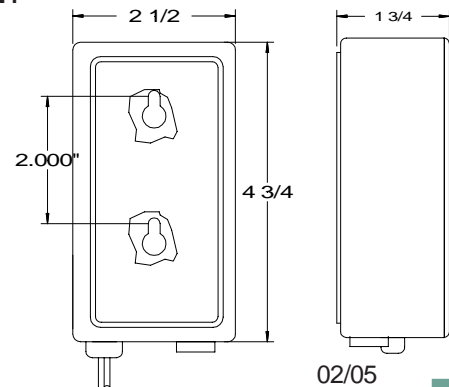
**SERIES CH-BT**



**SERIES MT4**

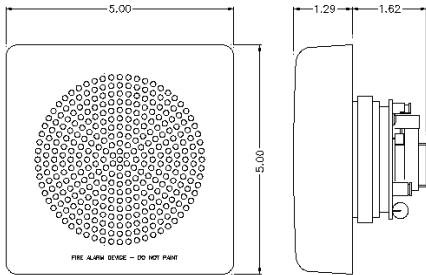


**SERIES DCI-24**



02/05

## SERIES E50 SPEAKER



## SERIES E50 SPEAKER STROBE

