

Series RSS and RSSP Strobes and Strobe Plates



Series RSS



Series RSS



Series RSSWP



RSS Round

Description

The Wheelock patented Series RSS Strobe Appliances and Series RSSP Strobe Plates have lower current draw while maintaining outstanding performance, reliability and cost effectiveness. These versatile appliances will satisfy virtually all requirements for indoor, wall or ceiling mount applications.

Strobe options for wall mount models include 1575 or the Wheelock Patented MCW multi-candela strobe with field selectable candela settings of 15/30/75/110cd or the high intensity MCWH strobe with field selectable 135/185cd. Ceiling mount models include the patented MCC multi-candela ceiling strobe with field selectable intensities of 15/30/75/95cd or the high intensity MCCH strobe with field selectable 115/177cd.

All models may be synchronized using the Wheelock SM, DSM Sync Modules or the PS-24-8MC Power Supplies with the Wheelock Patented Sync Protocol. Synchronized strobes can eliminate possible restrictions on the number of strobes in the field of view. Wheelock's synchronized strobes offer an easy way to comply with ADA recommendations concerning photosensitive epilepsy as well as meeting the requirements of NFPA 72.

The Wheelock Series RSS Strobes employ a Patented Integral Strobe Mounting Plate that can be mounted to a single gang, double gang, 4" square, 100mm European backboxes or the SHBB surface backbox. If the flush backbox has side or top space between it and the finished wall, the NATP (Notification Appliance Trimplate) may be used. It provides an additional .65" of trim for the Appliance. An attractive cover plate is provided for a clean, finished appearance on all models.

The Series RSSP Multi-Candela Strobe Plates are a cost effective way to retrofit required wall strobe appliances to bells, horns, chimes, multitones or speakers and easily mounts to standard 4" backboxes or for surface mount use with the Wheelock SBL2 surface backbox.

Features

- Approvals include: UL Standard 1971, New York City (MEA), California State Fire Marshal (CSFM), Factory Mutual (FM), and Chicago (BFP) See approvals by model in Specifications and Ordering Information
- ADA/NFPA/UFC/ANSI compliant. Meets OSHA 29 Part 1910.165
- Wall mount Multi-Candela models are available with Field Selectable Candela Settings of 15/30/ 75/110cd or 135/185cd. Single Candela models are available in 1575cd
- Ceiling mount Multi-Candela models are available with field selectable candela settings of 15/30/75/95cd or 115/177cd. (Round or Square)
- Strobes produce 1 flash per second over the regulated voltage range
- 12 and 24 VDC models with wide UL "Regulated Voltage" using filtered (DC) or unfiltered VRMS input voltage
- Synchronize using the Wheelock sync modules or power supplies with built-in sync protocol
- Fast installation with IN/OUT screw terminals using #12 to #18 AWG wire

For Weatherproof Series RSS See Datasheet S9004



S5391



151-92-E



7125-0785:141
7300-0785:154



APPROVED

NOTE: All CAUTIONS and WARNINGS are identified by the symbol ▲. All warnings are printed in bold capital letters.

▲ WARNING: PLEASE READ THESE SPECIFICATIONS AND ASSOCIATED INSTALLATION INSTRUCTIONS CAREFULLY BEFORE USING, SPECIFYING OR APPLYING THIS PRODUCT. VISIT WWW.COOPERWHEELLOCK.COM OR CONTACT COOPER WHEELLOCK FOR THE CURRENT INSTALLATION INSTRUCTIONS. FAILURE TO COMPLY WITH ANY OF THESE INSTRUCTIONS, CAUTIONS OR WARNINGS COULD RESULT IN IMPROPER APPLICATION, INSTALLATION AND/OR OPERATION OF THESE PRODUCTS IN AN EMERGENCY SITUATION, WHICH COULD RESULT IN PROPERTY DAMAGE, AND SERIOUS INJURY OR DEATH TO YOU AND/OR OTHERS.

General Notes:

- Strobes are designed to flash at 1 flash per second minimum over their "Regulated Voltage Range". Note that NFPA-72 specifies a flash rate of 1 to 2 flashes per second and ADA Guidelines specify a flash rate of 1 to 3 flashes per second.
- All candela ratings represent minimum effective Strobe intensity based on UL Standard 1971.
- Series NS Strobe products are listed under UL Standard 1971 for indoor use with a temperature range of 32°F to 120°F (0°C to 49°C) and maximum humidity of 93% (± 2%).
- Series NH horns are listed under UL Standard 464 for audible signal appliances (Indoor use only).
- "Regulated Voltage Range" is the newest terminology used by UL to identify the voltage range. Prior to this change UL used the terminology "Listed Voltage Range".**

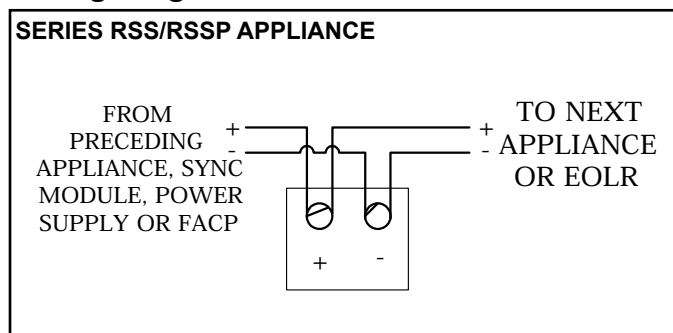
Table 1: Average RMS Current*

RSS/RSSP 24VDC Models	RSS/RSSP - Wall Mount							RSS - Ceiling Mount					
	241575W	24MCW				24MCWH		24MCC				24MCCH	
	1575cd	15cd	30cd	75cd	110cd	135cd	185cd	15cd	30cd	75cd	95cd	115cd	177cd
24 vdc	0.060	0.041	0.063	0.109	0.140	0.195	0.270	0.045	0.070	0.119	0.159	0.195	0.270
UL max*	0.090	0.060	0.092	0.165	0.220	0.300	0.420	0.065	0.105	0.189	0.249	0.300	0.420
RSS/RSSP 24VDC Models	RSS/RSSP Wall Mount	* RMS current ratings are per UL average RMS method. UL max current rating is the maximum RMS current within the listed voltage range (16-33v for 24v units). For strobes the UL max current is usually at the minimum listed voltage (16v for 24v units). For audibles the max current is usually at the maximum listed voltage (33v for 24v units). For unfiltered FWR ratings, see installation instructions.											
	121575W												
12 vdc	0.152												
UL max*	0.255												

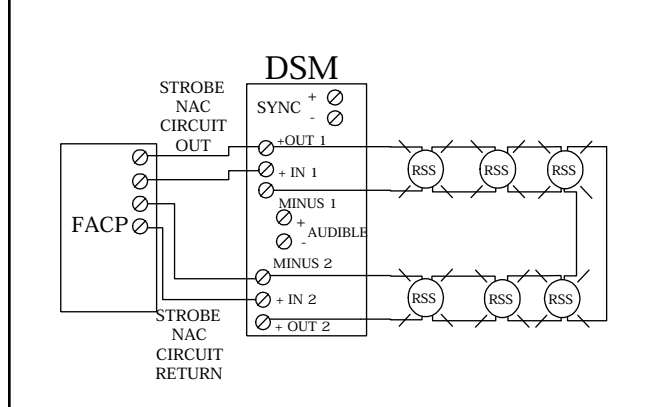
Table 2: Audibles/Speakers for RSSP Strobe Plate

Product	Series
Multitone Appliances	AMT, MT
Horns	AH, NH, HS
Motor Bells	MB-G6/G10
Speakers	ET-1010/1080, E70, ET70
Chimes	CH70

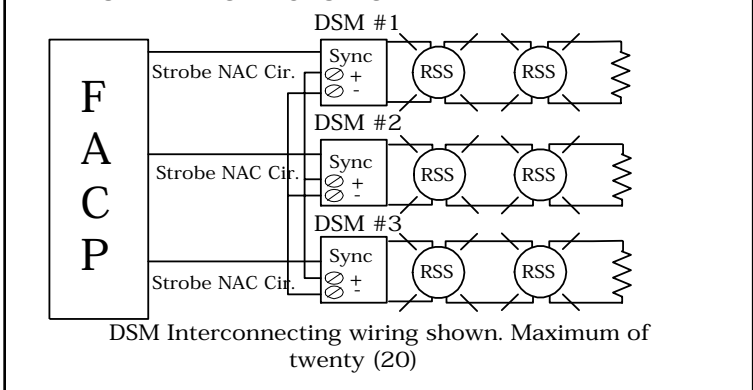
Wiring Diagrams

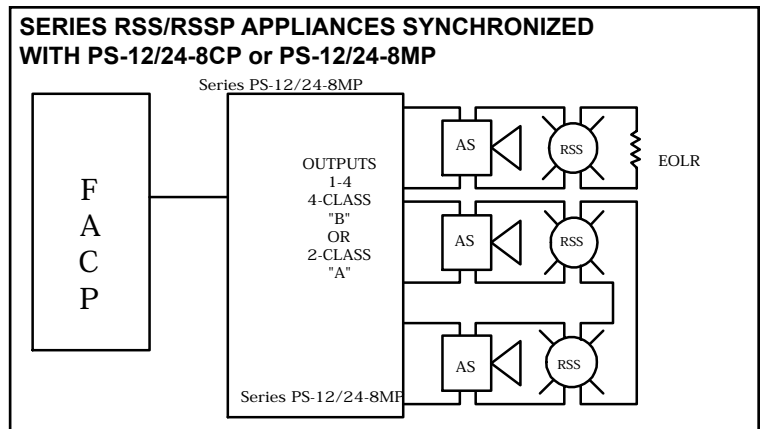
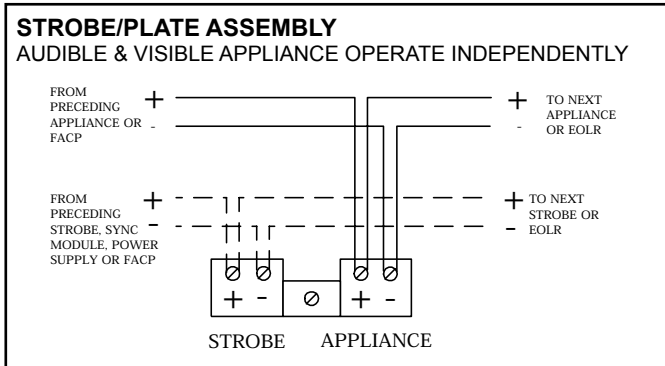
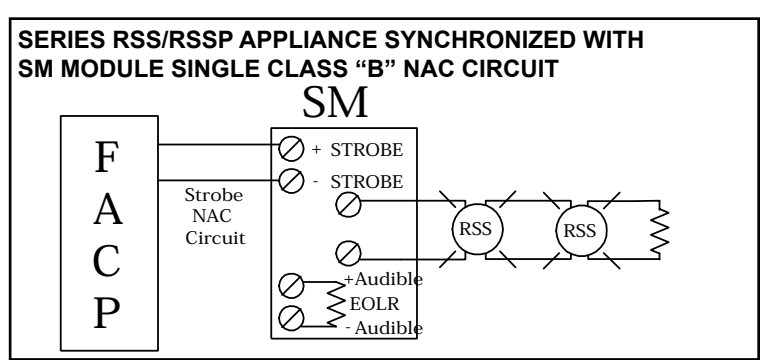
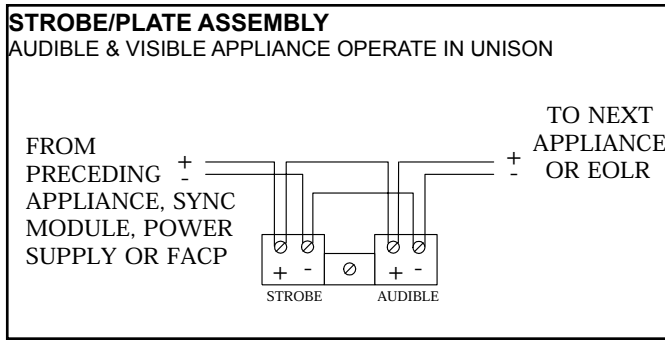


SERIES RSS/RSSP APPLIANCES SYNCHRONIZED WITH DSM MODULE SINGLE CLASS "A" NAC CIRCUIT



SERIES RSS/RSSP APPLIANCES SYNCHRONIZED WITH MULTIPLE DSM MODULES





For detail using SM or DSM Sync Module refer to Data Sheet S3000 or Installation Instructions P83123 for SM and P83177 for DSM. For wiring information on the power supplies refer to Installation Instructions P84515 for PS-12/24-8CP and P84333 for PS-12/24-8MP.

Specifications and Ordering Information

Model	Order Code	Wall Mount	Ceiling Mount	Non-Sync	Strobe Candela	24 VDC	12 VDC	Color RED	Color WHITE	Mounting Options***	Square or Round	Agency Approvals				
												UL	MEA	CSFM	FM	BFP
RSS-24MCW-FR	940	X	-	X	15/30/75/110	X	-	X	-	B,D,E,F,G,H,J,N,O,R,X	Square	X	X	X	X	X
RSS-24MCW-FW	9401	X	-	X	15/30/75/110	X	-	-	X	B,D,E,F,G,H,J,N,O,R,X	Square	X	X	X	X	X
RSS-241575W-FR	7471	X	-	X	15 (75 on Axis)	X	-	X	-	B,D,E,F,G,H,J,N,O,R,X	Square	X	X	X	X	X
RSS-241575W-FW	7788	X	-	X	15 (75 on Axis)	X	-	-	X	B,D,E,F,G,H,J,N,O,R,X	Square	X	X	X	X	X
RSS-121575W-FR	7476	X	-	X	15 (75 on Axis)	-	X	X	-	B,D,E,F,G,H,J,N,O,R,X	Square	X	X	X	X	X
RSS-121575W-FW	7468	X	-	X	15 (75 on Axis)	-	X	-	X	B,D,E,F,G,H,J,N,O,R,X	Square	X	X	X	X	X
RSS-24MCC-FW	3158	-	X	X	15/30/75/95	X	-	-	X	B,D,E,F,G,H,J,N,O,R,X	Square	X	X	X	X	*
RSS-24MCC-FR	3157	-	X	X	15/30/75/95	X	-	X	-	B,D,E,F,G,H,J,N,O,R,X	Square	X	X	X	X	*
RSS-24MCCR-FW	3160	-	X	X	15/30/75/95	X	-	-	X	B,D,E,F,G,H,J,N,O,R,X	Round	X	X	X	X	*
RSS-24MCCH-FW	3461	-	X	X	115/177	X	-	-	X	B,D,E,F,G,H,J,N,O,R,X	Square	X	X	X	X	*
RSS-24MCCHR-FW	3463	-	X	X	115/177	X	-	-	X	B,D,E,F,G,H,J,N,O,R,X	Round	X	X	X	X	*
RSS-24MCWH-FR	3465	X		X	135/185	X		X		B,D,E,F,G,H,J,N,O,R,X	Square	X	X	X	X	*
RSSWP-2475W-FR**	9013	X	-	X	180@ 77°F 75@ -31°F	X	X	X	-	B,D,E,F,G,H,J,N,O,R,X	Square	X	X	X	X	*
RSSWP-2475W-FW**	3034	X	-	X	180@ 77°F 75@ -31°F	X	X	-	X	B,D,E,F,G,H,J,N,O,R,X	Square	X	X	X	X	*
RSSP-121575W-FR	7798	X	-	X	15 (75 on Axis)	-	X	X	-	D,E,Z	Square	X	X	X	X	X
RSSP-24MCW-FR	9402	X	-	X	15/30/75/110	X	-	X	-	D,E,Z	Square	X	X	X	X	X
RSSP-241575W-FR	7793	X	-	X	15 (75 on Axis)	-	-	X	-	D,E,Z	Square	X	X	X	X	X
RSSP-24MCWH-FR	9482	X		X	135/185	X		X		B,D,E,F,G,H,J,N,O,R,X	Square	X	X	X	*	*

All models sync with Wheelock SM, DSM or PS-12/24-8CP or PS-12/24-8MP.

*PENDING

Models are available in either Red or White. Call Customer Service for Order Code & Delivery.

**For Weatherproof Series RSS Strobe specifications see data sheet S9004.

***Refer to data sheet S7000 for mounting options.

Architects and Engineers Specifications

The visual notification appliances shall be Wheelock Series RSS Strobe Appliances or approved equals. The Series RSS shall meet and be listed for UL Standard 1971 (Emergency Devices for the Hearing-Impaired) for Indoor Fire Protection Service. The strobe shall be listed for indoor use and shall meet the requirements of FCC Part 15 Class B. The strobe appliances shall produce a flash rate of one (1) flash per second over the Regulated Voltage Range and shall incorporate a Xenon flashtube enclosed in a rugged Lexan® lens. All inputs shall be compatible with standard reverse polarity supervision of circuit wiring by a Fire Alarm Control Panel (FACP). When Strobe Plates are to be installed, they shall be the Wheelock Series RSSP Strobe Plate and shall have the same electronic circuitry as the Wheelock Series RSS.

The Series RSS Strobe shall be of low current design. Where Multi-Candela appliances are specified, the strobe intensity shall have field selectable settings and shall be rated per UL Standard 1971 at 15/30/75/110cd or 135/185cd for wall mount and 15/30/75/95cd or 115/177cd for ceiling mount. The selector switch for selecting the candela shall be tamper resistant. The 1575 candela strobe shall be specified when 15 candela UL Standard 1971 Listing with 75 candela on axis is required (e.g. ADA compliance).

When synchronization is required, the appliance shall be compatible with Wheelock's SM, DSM Sync Modules or the Wheelock PS-24-8MC Power Supplies with built-in Patented Sync Protocol. The strobes shall not drift out of synchronization at any time during operation. If the sync module or Power Supply fails to operate, (i.e., contacts remain closed), the strobe shall revert to a non-synchronized flash rate. The strobes shall be designed for indoor surface of flush mounting.

The Series RSS Strobe Appliances shall incorporate a Patented, Integral Strobe Mounting Plate that shall allow mounting to single-gang, double-gang, 4-inch square, 100mm European type backboxes, or the SHBB Surface Backbox. If required, an NATP (Notification Appliance Trimplate) shall be provided. An attaching cover plate shall be provided to give the Appliance and attractive appearance. The Appliance shall not have any mounting holes or screw heads visible when the installation is completed.

The Series RSSP Multi-Candela or single candela Strobe Plate shall mount to either a standard 4 inch square backbox for flush mounting, or the Wheelock SBL2 backbox for surface mounting.

All notification appliances shall be backward compatible.

NOTE: Due to continuous development of our products, specifications and offerings are subject to change without notice in accordance with Wheelock, Inc. standard terms and conditions.



273 Branchport Avenue
Long Branch, NJ 07740
Phone: (800) 631-2148
Fax: (732) 222-2588
www.cooperwheelock.com



WE ENCOURAGE AND SUPPORT NICET CERTIFICATION
3 YEAR WARRANTY
Made in USA