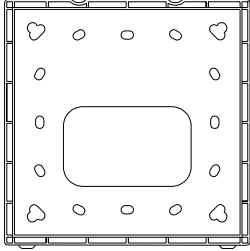
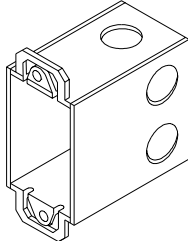
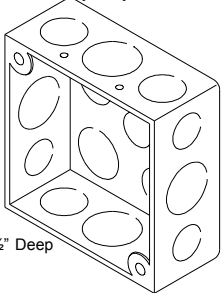
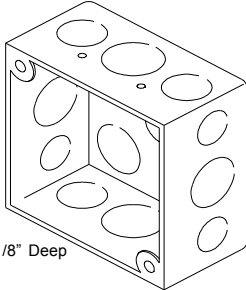
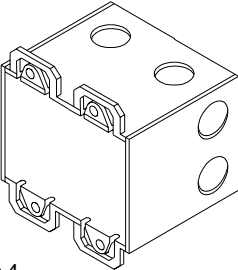
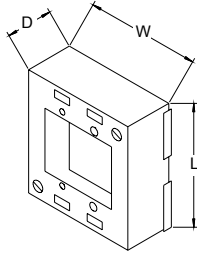
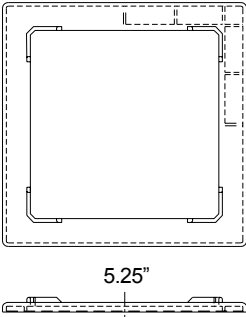
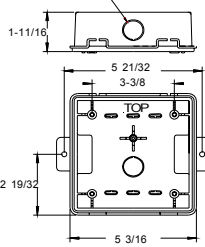
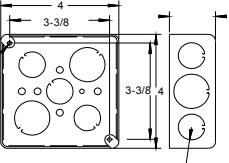


## Wheelock Products Mounting Options & Accessories


Section: Audio/Visual Devices

This document contains descriptions for the lettered mounting options found on Notifier Datsheets for Wheelock products. The source of information is Wheelock document #S7000, Rev. 02/04.

<p><b>(A) UNIVERSAL MOUNTING PLATE</b></p>  <p>"AS" Mounting</p>	<p><b>(B) SINGLE-GANG, FLUSH (BO)</b></p>  <p>See Notes 1 &amp; 8</p> <table border="1"> <thead> <tr> <th colspan="4">MAXIMUM NUMBER OF CONDUCTORS</th> </tr> <tr> <th>AWG #18</th> <th>AWG #16</th> <th>AWG #14</th> <th>AWG #12</th> </tr> </thead> <tbody> <tr> <td>4</td> <td>4</td> <td>4</td> <td>4</td> </tr> </tbody> </table>	MAXIMUM NUMBER OF CONDUCTORS				AWG #18	AWG #16	AWG #14	AWG #12	4	4	4	4	<p><b>(D) 4" SQUARE, FLUSH (BO)</b></p>  <p>1-1/2" Deep</p> <p>See Note 2</p> <table border="1"> <thead> <tr> <th colspan="4">MAXIMUM NUMBER OF CONDUCTORS</th> </tr> <tr> <th>AWG #18</th> <th>AWG #16</th> <th>AWG #14</th> <th>AWG #12</th> </tr> </thead> <tbody> <tr> <td>4</td> <td>4</td> <td>4</td> <td>4</td> </tr> </tbody> </table>	MAXIMUM NUMBER OF CONDUCTORS				AWG #18	AWG #16	AWG #14	AWG #12	4	4	4	4																				
MAXIMUM NUMBER OF CONDUCTORS																																														
AWG #18	AWG #16	AWG #14	AWG #12																																											
4	4	4	4																																											
MAXIMUM NUMBER OF CONDUCTORS																																														
AWG #18	AWG #16	AWG #14	AWG #12																																											
4	4	4	4																																											
<p><b>(E) 4" SQUARE, DEEP, FLUSH (BO)</b></p>  <p>2-1/8" Deep</p> <p>See Note 3</p> <table border="1"> <thead> <tr> <th colspan="4">MAXIMUM NUMBER OF CONDUCTORS</th> </tr> <tr> <th>AWG #18</th> <th>AWG #16</th> <th>AWG #14</th> <th>AWG #12</th> </tr> </thead> <tbody> <tr> <td>8</td> <td>8</td> <td>8</td> <td>8</td> </tr> </tbody> </table>	MAXIMUM NUMBER OF CONDUCTORS				AWG #18	AWG #16	AWG #14	AWG #12	8	8	8	8	<p><b>(F) DOUBLE-GANG, FLUSH (BO)</b></p>  <p>See Notes 4</p> <table border="1"> <thead> <tr> <th colspan="4">MAXIMUM NUMBER OF CONDUCTORS</th> </tr> <tr> <th>AWG #18</th> <th>AWG #16</th> <th>AWG #14</th> <th>AWG #12</th> </tr> </thead> <tbody> <tr> <td>4</td> <td>4</td> <td>4</td> <td>4</td> </tr> </tbody> </table>	MAXIMUM NUMBER OF CONDUCTORS				AWG #18	AWG #16	AWG #14	AWG #12	4	4	4	4	<p><b>(G) DOUBLE-GANG, SURFACE (BO)</b></p>  <table border="1"> <thead> <tr> <th>L.</th> <th>W.</th> </tr> </thead> <tbody> <tr> <td>4-3/4"</td> <td>4-3/4"</td> </tr> <tr> <th>D.</th> <th>GANG #</th> </tr> <tr> <td>1-3/4"</td> <td>2</td> </tr> </tbody> </table> <p>See Note 5</p> <table border="1"> <thead> <tr> <th colspan="4">MAXIMUM NUMBER OF CONDUCTORS</th> </tr> <tr> <th>AWG #18</th> <th>AWG #16</th> <th>AWG #14</th> <th>AWG #12</th> </tr> </thead> <tbody> <tr> <td>4</td> <td>4</td> <td>4</td> <td>4</td> </tr> </tbody> </table>	L.	W.	4-3/4"	4-3/4"	D.	GANG #	1-3/4"	2	MAXIMUM NUMBER OF CONDUCTORS				AWG #18	AWG #16	AWG #14	AWG #12	4	4	4	4
MAXIMUM NUMBER OF CONDUCTORS																																														
AWG #18	AWG #16	AWG #14	AWG #12																																											
8	8	8	8																																											
MAXIMUM NUMBER OF CONDUCTORS																																														
AWG #18	AWG #16	AWG #14	AWG #12																																											
4	4	4	4																																											
L.	W.																																													
4-3/4"	4-3/4"																																													
D.	GANG #																																													
1-3/4"	2																																													
MAXIMUM NUMBER OF CONDUCTORS																																														
AWG #18	AWG #16	AWG #14	AWG #12																																											
4	4	4	4																																											
<p><b>(H) NATP-R OR NAPT-W</b></p>  <p>5.25"</p> <p>5.25"</p> <p>Thickness: 13/64"</p>	<p><b>(I) WPBB-R</b> For surface mounting AS outdoor products.</p>  <p>1-11/16</p> <p>5 21/32</p> <p>3-3/8</p> <p>2 19/32</p> <p>5 3/16</p> <p>MAXIMUM NUMBER OF CONDUCTORS</p> <table border="1"> <thead> <tr> <th>AWG #18</th> <th>AWG #16</th> <th>AWG #14</th> <th>AWG #12</th> </tr> </thead> <tbody> <tr> <td>8</td> <td>8</td> <td>8</td> <td>8</td> </tr> </tbody> </table>	AWG #18	AWG #16	AWG #14	AWG #12	8	8	8	8	<p><b>(J) BB-R BACKBOX</b> Standard steel backbox with knockouts for interior surface mounting, concealed conduit mounting or semi-flush applications. It is painted to match the signal.</p>  <p>#8-32 TAP (2) HOLES</p> <p>PROVIDED WITH KNOCKOUTS FOR 1/2" &amp; 3/4" CONDUIT</p> <p>See Note 9</p> <table border="1"> <thead> <tr> <th colspan="4">MAXIMUM NUMBER OF CONDUCTORS</th> </tr> <tr> <th>AWG #18</th> <th>AWG #16</th> <th>AWG #14</th> <th>AWG #12</th> </tr> </thead> <tbody> <tr> <td>4</td> <td>4</td> <td>4</td> <td>4</td> </tr> </tbody> </table>	MAXIMUM NUMBER OF CONDUCTORS				AWG #18	AWG #16	AWG #14	AWG #12	4	4	4	4																								
AWG #18	AWG #16	AWG #14	AWG #12																																											
8	8	8	8																																											
MAXIMUM NUMBER OF CONDUCTORS																																														
AWG #18	AWG #16	AWG #14	AWG #12																																											
4	4	4	4																																											

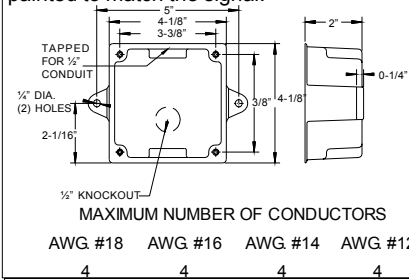
NOTIFIER® is a Honeywell company.

This document is not intended to be used for installation purposes. We try to keep our product information up-to-date and accurate. We cannot cover all specific applications or anticipate all requirements. All specifications are subject to change without notice. For more information, contact NOTIFIER. Phone: (203) 484-7161 FAX: (203) 484-7118

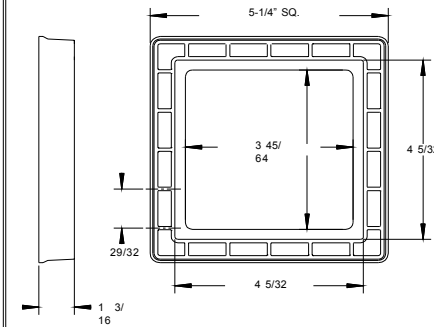

**NOTIFIER®** 12 Clintonville Road, Northford, Connecticut 06472

**ISO 9001**  
**CERTIFIED**  
ENGINEERING & MANUFACTURING  
QUALITY SYSTEMS

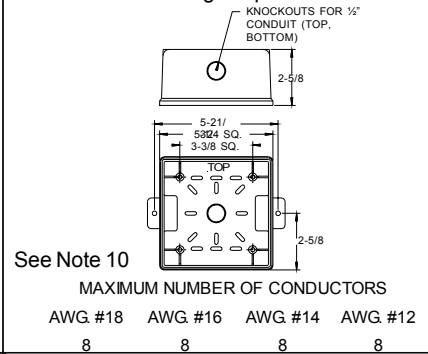
**(K) WBB-R WEATHER RESISTANT BACKBOX**  
 Sturdy die cast housing, threaded conduit hole and knockout for outdoor applications. It is painted to match the signal.



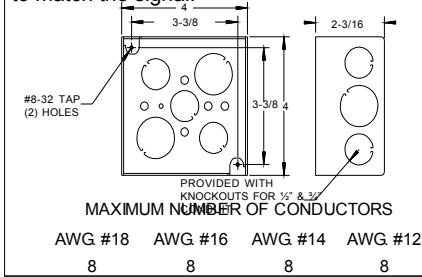
**(L) ISP2-R OT ISP2-W SURFACE ADAPTER**



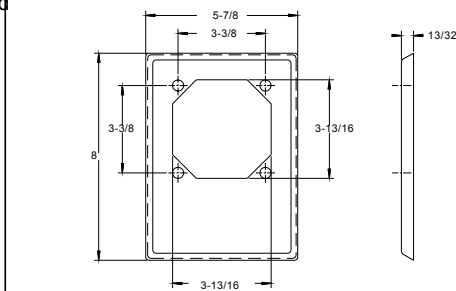
**(M) IOB-R OR IOB-W BACKBOX**  
 For surface mounting MT products.



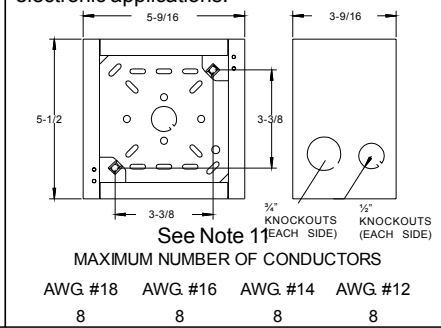
**(N) DBB-R BACKBOX**  
 Standard steel backbox provided with knockouts for interior surface mounting, concealed conduit mounting or semi-flush applications. It is painted to match the signal.



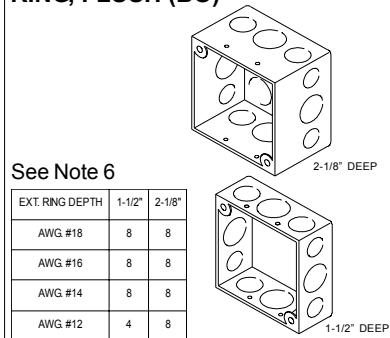
**(O) RP-R RETROFIT PLATE (Order Code: 5042)**



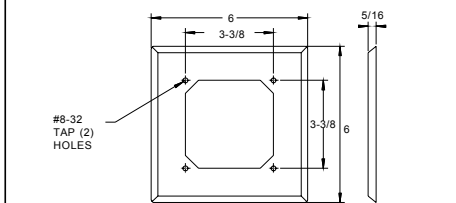
**(P) SBB-R OR SBB-W BACKBOX**  
 For surface mounting speakers, chimes, and electronic applications.



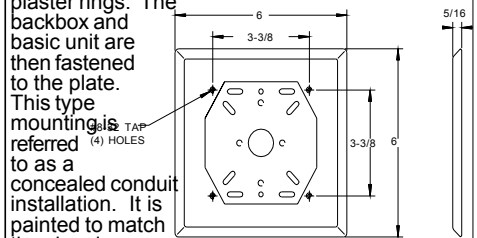
**(Q) 4" SQUARE DEEP W/ EXTENSION RING, FLUSH (BO)**



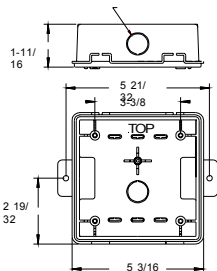
**(R) SFP-R OR SFP-W SEMI-FLUSH PLATE**  
 Stamped aluminum surface wall plate which mounts behind the basic unit and serves to cover recessed backboxes in semi-flush mounting applications. It is painted to match the signal.



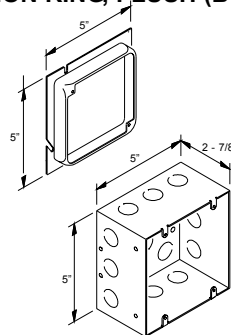
**(S) AP-P OR AP-R ADAPTER PLATE**  
 Stamped aluminum adapter plate designed for applications where semi-flush installations cannot be used. The plate can be mounted to standard octagon or round backboxes single or double gang boxes or plaster rings. The backbox and basic unit are then fastened to the plate. This type mounting is referred to as a concealed conduit installation. It is painted to match the signal.



**(T) WPSBB-R**

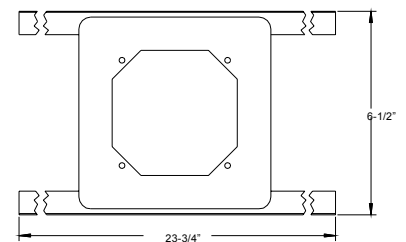


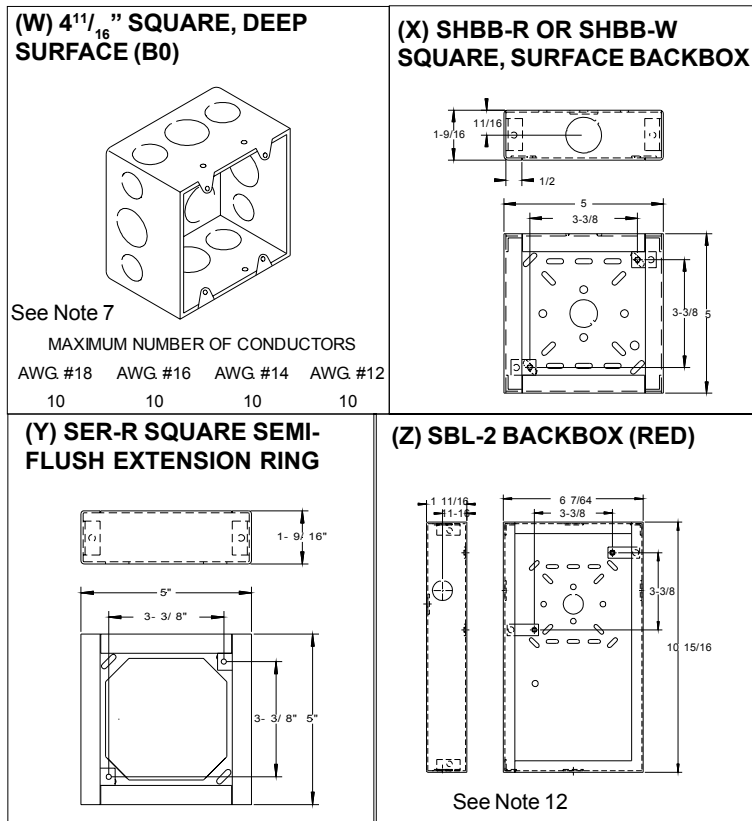
**(U) 5" SQUARE BACKBOX W/ EXTENSION RING, FLUSH (BO)**



**(V) SSB-4 CEILING SUPPORT BRIDGE**

Provisions for (4) J-nuts #8-32 ib 3-3/8" square  
 Material: Steel





**NOTES:**  
(B0) = By Others

## GENERAL NOTES

- FIGURE B IS TYPICAL OF A STEEL CITY LXM-WOW BOX OR EQUAL. FIGURE B SHOULD BE A 3.5" DEEP BACKBOX FOR CONDUIT INSTALLTIONS AND IS TYPICAL OF A STEEL CITY CY-½ BOX OR EQUAL.
- FIGURE D IS TYPICAL OF A STEEL CITY 52151 BOX OR EQUAL.
- FIGURE E IS TYPICAL OF A STEEL CITY 52171 BOX OR EQUAL.
- FIGURE F IS TYPICAL OF TWO STEEL CITY LXM-WOW BOXES OR EQUAL.
- FIGURE G IS TYPICAL OF A WIREMOLD 5748-2 BOX OR EQUAL
- FIGURE Q IS TYPICAL OF A STEEL CITY 52171 BOX WITH A STEEL CITY 53151 EXTENSION RING OR EQUAL.
- FIGURE W IS TYPICAL OF A STEEL CITY 72171-1 BOX OR EQUAL.
- USE 3.5 DEEP BACKBOX ON ALL MIZ PRODUCTS WHEN EMT CONDUIT IS USED.
- WHEN USED WITH AC HORN (J), "BB" MUST BE USED FOR SURFACE MOUNT.
- MT OR MTWP STROBE ARE FOR OUTDOOR MOUNTING.
- ONLY E70, ET70, ET-1080, & CH70 PRODUCTS WILL MOUNT TO THE SBB BACKBOX.
- USE WITH SERIES RSSP.
- FIGURE U IS TYPICAL OF A RANDL INDUSTRIES BACKBOX.  
(“Total Number of conductors shall be in accordance with NEC table 314.16 (B)”).

# MOUNTING MATRIX

	SERIES E90/ET90	SERIES RSS/RSSP	SERIES CH	SERIES ET 1010 & 1080	SERIES MB MOTOR BELLS	SERIES E70/ET70	SERIES MIZ/MIZ-TC	SERIES MT	SERIES NH/NS	SERIES HS4/HS	SERIES SM & DSM	SERIES AMT	SERIES AS/AH	SERIES RSSWP <sup>1</sup> , ASWP <sup>2</sup> , AHWP <sup>3</sup> , MTWP <sup>4</sup> , MT-12/24 AND ET70WP <sup>4</sup> WEATHERPROOF	SERIES RSSR (RED LENS)
(A) UNIVERSAL MOUNTING PLATE														X	
(B) 1-GANG X 2" DEEP - FLUSH (BO) NOTE 1 & 8		X				X		X						X	X
(D) 4" X 4" X 1.5" DEEP - FLUSH (BO) NOTE 2		X		X				X						X	X
(E) 4" X 4" X 2.125" DEEP FLUSH (BO) NOTE 3		X		X	X			X	X	X		X	X		X
(F) 2-GANG X 3.5" DEEP - FLUSH (BO) NOTE 4 & 8		X						X	X	X		X	X		X
(G) 2-GANG X 1.75" DEEP - SURFACE (BO) NOTE 5		X						X					X		X
(H) NATP TRIM PLATE		X						X					X		X
(I) WPBB-R WEATHERPROOF BACKBOX FOR ASWP														2	
(J) BB SURFACE (WSI) NOTE 9		X		X				X					X		X
(K) WBB WEATHER-PROOF (WSI)				X	X								X	3	
(L) ISP2 SURFACE ADAPTER			X			X		X		X		X			
(M) IOB SURFACE & WEATHER -PROOF (WSI) NOTE 10								X	X		X			4	
(N) DBB SURFACE (WSI)		X		X	X			X	X	X		X	X		X
(O) RP-R RETROFIT PLATE (WSI)		X	X	X	X	X		X	X	X		X	X		X
(P) SBB SURFACE (WSI) NOTE 11	X	X	X	X	X	X		X	X	X		X			X
(Q) 4" X 4" X 2.125" BOX W/ 1.5" EXTENSION RING -FLUSH (BO) NOTE 6	X		X	X		X									
(R) SFP SEM-FLUSH PLATE (WSI)		X	X	X	X	X		X	X	X		X	X		X
(S) AP ADAPTER PLATE (WSI)					X										
(T) WPSBB-R WEATHERPROOF BACK BOX FOR RSSWP														1	
(U) 5" SQUARE BACKBOX W/ EXTENSION RING, FLUSH	X		X	X		X									
(V) SSB-4 CEILING (WSI) SUPPORT BRIDGE	X		X	X		X							X		
(W) 4.6875" X 4.6875" X 2.125" DEEP-SURFACE (BO)											X				
(X) SHBB (WSI) SHALLOW SURFACE		X			X				X				X		X
(Y) SER SEM-FLUSH EXTENSION RING (RETROFIT APPLICATIONS)	X		X			X									
(Z) SBL-2 SURFACE (WSI) NOTE 12		X	X	X	X										

## MOUNTING NOTES

**⚠ Caution:** The mounting options figures show the maximum number of field wires (conductors) that can enter the backbox used with each mounting option. If these limits are exceeded, there may be insufficient space in the backbox to accommodate the field wires and stresses from the wires could damage the product. Although the limits shown for each mounting option comply with the National Electrical code (NEC), Wheelock recommends use of the largest backbox option and the use of approved stranded field wires whenever possible, to provide additional wiring room for easy installation and minimum stress on the product from wiring.

**⚠ Caution:** Check that the installed product will have sufficient clearance and wiring room prior to installing backboxes and conduit, especially if sheathed multiconductor cable or 3/4" conduit fittings are used.

1. Mounting hardware for each mounting option is supplied.
2. Conduit entrances to the backbox should be selected to provide sufficient wiring clearance for the installed product. When extension rings are required, conduit should enter through the backbox, not the extension ring. Use Steel City #53151 (1-1/2" deep) or #53171 (2-1/8" deep) extension rings (as noted in the mounting options) or equal with the same cut-out area.
3. When terminating field wires, do not use more lead length than required. Excess lead length could result in insufficient wiring space for the appliance.
4. Use care and proper techniques to position the field wires in the backbox so that they use minimum space and produce minimum stress on the product. This is especially important for stiff, heavy gauge wires and wires with thick insulation or sheathing.
5. Do not pass additional wires (used for other than the appliance) through the backbox "unless the backbox is of a sufficient size to permit additional wiring as described in NEC 314.16 (B)". Such additional wires could result in insufficient wiring space for the appliance.

NFPA-72 Section 4-4.4 "Wall Mounted Appliances shall be mounted such that the entire lens is not less than 80" (2.03m) and not greater than 96" (2.30m)."

"Exception: Appliances installed in sleeping areas shall comply with 4-4.4.3." Not included in this document.

ADA 4.28.3 (6) states that "strobes shall be 80" from the finished floor or 6" from the ceiling".

**BACKBOX MOUNTING HEIGHTS  
for WHEELLOCK WALL MOUNTED  
HORIZONTAL STROBE APPLIANCES**

BACKBOX MOUNTING OPTIONS*	SERIES AS/AH AUDIBLE STROBE		SERIES RSSP FLUSH & SURFACE RETROFIT PLATE		SERIES NS/NS4 HORN STROBE		SERIES RSS STROBE		SERIES MT & AMT MULTITONE STROBE	
	80 IN.	6 IN.	80 IN.	6 IN.	80 IN.	6 IN.	80 IN.	6 IN.	80 IN.	6 IN.
(B) 1-GANG X 2" DEEP - FLUSH (BO)	77 1/2"	8 1/2"			78 3/8"	7 5/8"	79 1/8"	6 7/8"		
(D) 4" X 4" X 1.5" DEEP - FLUSH (BO)	77"	9"	83 15/16"		77 7/8"	8 1/8"	78 5/8"	7 3/8"	79 15/16"	6 1/16"
(E) 4" X 4" X 2.125" DEEP - FLUSH (BO)	77"	9"	83 15/16"		77 7/8"	8 1/8"	78 5/8"	7 3/8"	79 15/16"	6 1/16"
(F) 2-GANG X 3.5" DEEP - FLUSH (BO)	77 1/2"	8 1/2"			78 3/8"	7 5/8"	79 1/8"	6 7/8"	80 9/16"	5 7/16"
(G) 2-GANG X 1.75" DEEP - SURFACE (BO)	77 1/2"	8 1/2"			78 3/8"	7 5/8"	79 1/8"	6 7/8"	80 9/16"	5 7/16"
(M) IOB SURFACE & WEATHER-PROOF (WSI)									79 3/8"	6 5/8"
(P) SBB SURFACE (WSI)									79 1/4"	6 3/4"
(Q) 4" X 4" X 2.125" BOX W/ 1.5" EXTENSION RING -FLUSH (BO)										
(U) 5" SQUARE BACKBOX W/ EXTENSION RING, FLUSH (BO)	69 1/2"	8 1/2"	83 7/16"		77 3/8"	7 5/8"	78 1/8"	6 7/8"	79 7/16"	5 9/16"
(X) SHBB (WSI) SHALLOW SURFACE	76 1/2"	9 1/2"			77 3/8"	8 5/8"	78 1/8"	7 7/8"		
(Y) 4" X 4" X 1.5" BOX W/ 1.5" EXTENSION RING PLATE (BO)										
(Z) SBL-2 SURFACE (WSI)			78"							

BACKBOX MOUNTING OPTIONS*	SERIES CH70 CHIME STROBE		SERIES ET-1080 VANDAL RESISTANT SPEAKER STROBE		SERIES E70 SPEAKER STROBE		SERIES ET70 SPEAKER STROBE		SERIES SA-70S SELF AMPLIFIED SPEAKER STROBE	
	80 IN.	6 IN.	80 IN.	6 IN.	80 IN.	6 IN.	80 IN.	6 IN.	80 IN.	6 IN.
(P) SBB SURFACE (WSI)	77 3/4"	8 1/4"	79 3/16"	6 13/16"	77 3/4"	8 1/4"	77 3/4"	8 1/4"	79 3/16"	6 13/16"
(Q) 4" X 4" X 2.125" BOX W/ 1.5" EXTENSION RING -FLUSH (BO)	78 1/2"	7 1/2"	80"	6"	78 1/2"	7 1/2"	78 1/2"	7 1/2"	80"	6"
(U) 5" SQUARE BACKBOX W/ EXTENSION RING- FLUSH (BO)	78"	7"	79 1/2"	5 1/2"	78"	7"	78"	7"	79 1/2"	5 1/2"
(X) SHBB (WSI) SHALLOW SURFACE										
(Y) 4" X 4" X 1.5" BOX W/ 1.5" EXTENSION RING PLATE (BO)	78 1/2"	7 1/2"	80"	6"						

\* Measured from Bottom of Backbox

**NOTES:**

(BO) = By Others

(WSI) = Wheellock Product